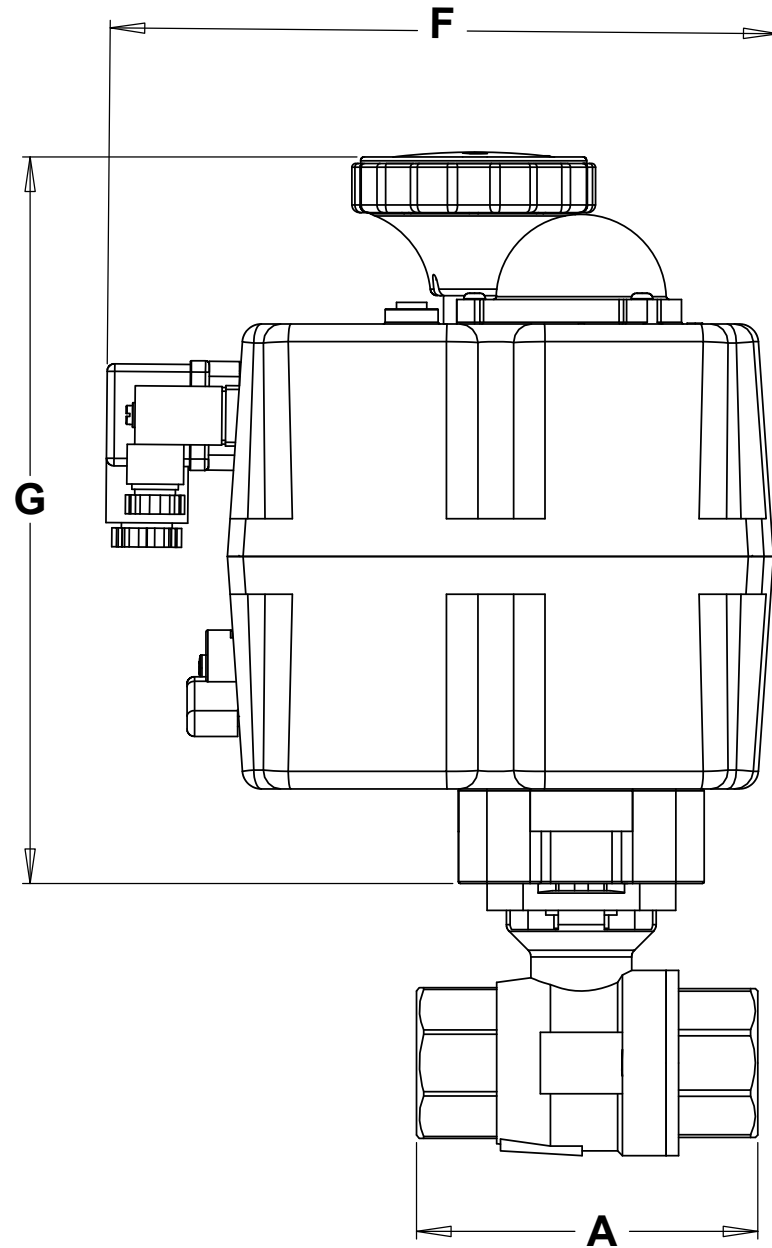
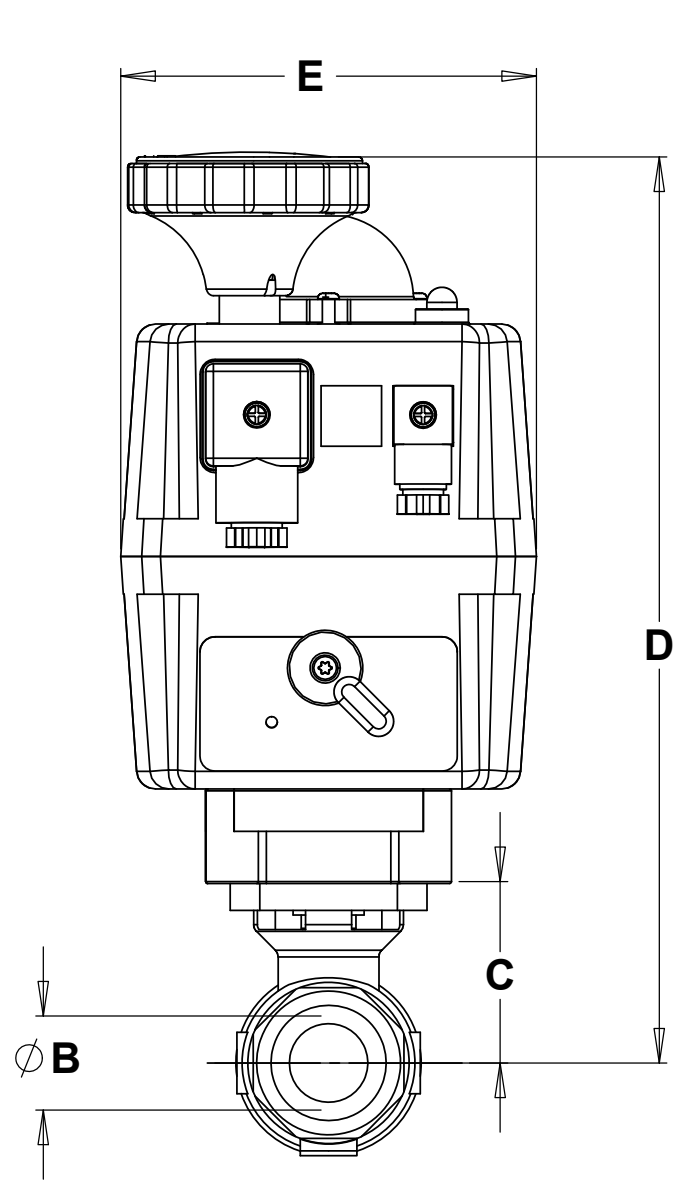
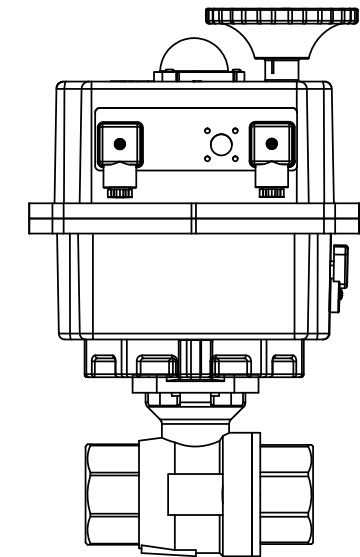


MODEL	E2S21AJJE2S	E2S22AJJE2S	E2S23AJJE2S	E2S24AJJE2S	E2S25AJJE2S	E2S26AJJE2S	E2S27AJJE3S	E2S28AJJE5S	E2S29AJJE15T	E2S29AJJE15U	E2S2AAJJE15T	E2S2AAJJE15U
SIZE	1/4 NPT	3/8 NPT	1/2 NPT	3/4 NPT	1 NPT	1 1/4 NPT	1 1/2 NPT	2 NPT	2 1/2 NPT	2 1/2 NPT	3 NPT	3 NPT
TEMPERATURE	-4°F / +158°F	-4°F / +158°F	-4°F / +158°F	-4°F / +158°F	-4°F / +158°F	-4°F / +158°F	-4°F / +158°F	-4°F / +158°F	-4°F / +158°F	-4°F / +158°F	-4°F / +158°F	-4°F / +158°F
WOG	1000 PSI	1000 PSI	1000 PSI	1000 PSI	1000 PSI	1000 PSI	1000 PSI	1000 PSI	1000 PSI	1000 PSI	1000 PSI	1000 PSI
A	2.95	2.95	2.95	3.15	3.56	4.33	4.72	4.88	5.76	5.76	6.44	6.44
B	0.31	.39	.59	.79	.98	1.26	1.5	1.97	2.48	2.48	2.99	2.99
C	1.54	1.54	1.54	1.73	1.87	2.09	2.54	2.97	3.60	3.60	3.97	3.97
D	8.19	8.19	8.19	8.38	8.52	8.74	9.19	10.69	13.60	13.60	13.97	13.97
E	4.34	4.34	4.34	4.34	4.34	4.34	4.34	4.34	8.43	8.43	8.43	8.43
F	7.13	7.13	7.13	7.13	7.13	7.13	7.13	7.13	9.26	9.26	9.26	9.26
G	6.65	6.65	6.65	6.65	6.65	6.65	6.65	7.72	10.00	10.00	10.00	10.00
ACTUATOR	AJE2S	AJE2S	AJE2S	AJE2S	AJE2S	AJE2S	AJE3S	AJE5S	AJE15T	AJE15U	AJE15T	AJE15U
SPEED 90°	10 SEC	10 SEC	10 SEC	10 SEC	10 SEC	10 SEC	10 SEC	13 SEC	34 SEC	34 SEC	34 SEC	34 SEC
WT. LBS.	5.1	5.1	5.1	5.3	6.2	7.7	9.1	13.0	24.7	24.7	27.4	27.4
Sized max differential PSI	300	300	300	300	300	300	300	300	300	300	300	300



VOLTAGE:
 JE2S - 24 - 240 VDC / VAC 50/60 Hz
 JE5S - 24 - 240 VDC / VAC 50/60 Hz
 JE15T - 85 - 240 VDC / VAC 50/60Hz
 JE15U - 24 VDC / VAC 50/60 Hz

SUFFIX:
 00D - FAIL OPEN
 00F - FAIL CLOSED
 550 - MODULATING



ACTUATOR ORIENTATION FOR AJE15 AND AJE30

UNCONTROLLED DRAWING

THIS PRINT IS THE PROPERTY OF DYNAQUIP CONTROLS AND SHALL NOT BE COPIED, REPRODUCED, LOANED, OR DISPOSED OF DIRECTLY OR INDIRECTLY, NOR USED FOR ANY PURPOSE OTHER THAN THAT FOR WHICH IT IS SPECIFICALLY FURNISHED EXCEPT BY WRITTEN PERMISSION OF DYNAQUIP CONTROLS.

NO. E2S SERIES

FILE NO. SUB398

TITLE
 BALL VALVE 2 PC. SS
 FULL PORT
 JE SERIES ACTUATOR

DR MJP	DATE 01-08-19	CHKD MJP	DATE 05-15-17	ENGR MJP	DATE 05-15-17
-----------	------------------	-------------	------------------	-------------	------------------

