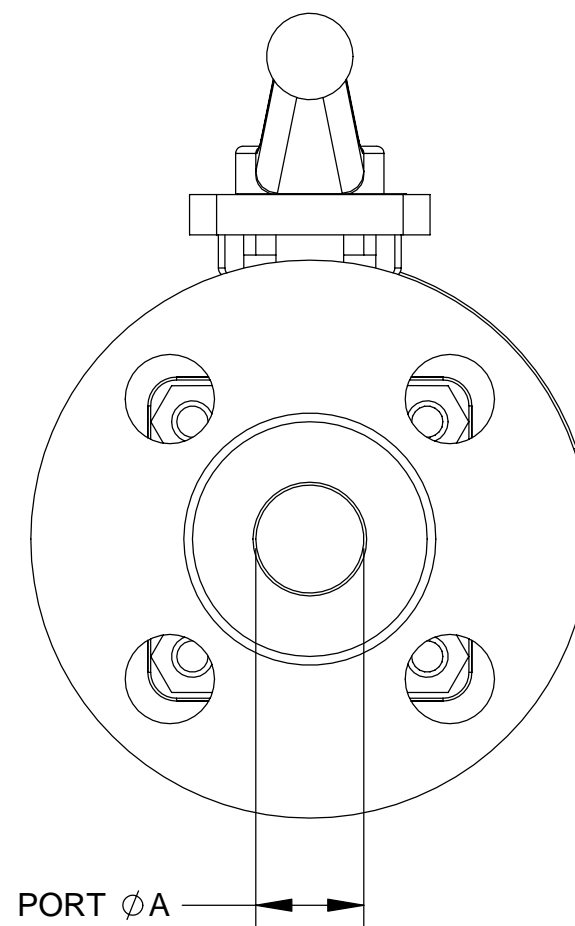
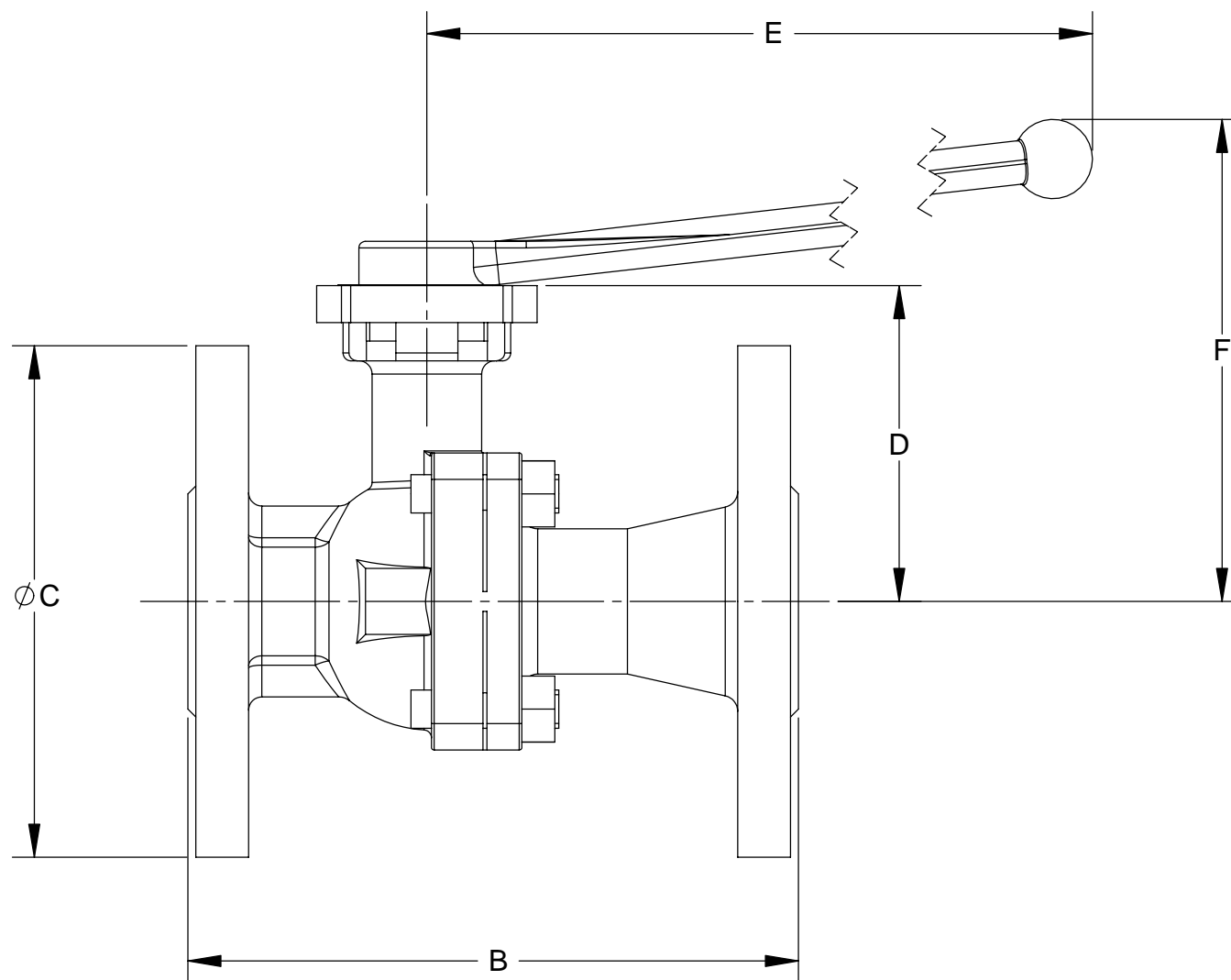


VALVE DATA	
BODY & CAP	CARBON STEEL
BALL	316 SS
STEM	316 SS
SEATS	RTFE
SEALS	PTFE - VITON



MODEL NO.	DIMENSIONS								MOUNTING HOLES			
	A	B	C	D	E	F	G	H	J	K	L	M
VHC6.EJ 1 1/2	1.50	6.50	5.00	2.99	9.75	4.06	.55	.52	.14	1.97	.14	2.76
VHC6.EJ 2	1.97	7.00	6.00	3.33	9.75	4.40	.55	.52	.14	1.97	.14	2.76
VHC6.EJ 2 1/2	2.52	7.50	7.00	4.11	13.8	6.00	.67	.73	.21	2.76	.23	4.02
VHC6.EJ 3	2.99	8.00	7.50	4.39	13.8	6.40	.67	.73	.21	2.76	.23	4.02
VHC6.EJ 4	3.94	9.00	9.00	5.33	13.8	7.50	.87	.88	.23	4.02	.27	4.92

UNCONTROLLED DRAWING

THIS PRINT IS THE PROPERTY OF DYNAQUIP CONTROLS AND SHALL NOT BE COPIED, REPRODUCED, LOANED, OR DISPOSED OF DIRECTLY OR INDIRECTLY, NOR USED FOR ANY PURPOSE OTHER THAN THAT FOR WHICH IT IS SPECIFICALLY FURNISHED EXCEPT BY WRITTEN PERMISSION OF DYNAQUIP CONTROLS.

NO.	VHC SERIES				FILE NO.	SUB203	DO NOT SCALE
TITLE	BALL VALVE- STEEL FULL PORT 150 ANSI FLANGE						
DR	DATE	CH'KD	DATE	ENGR	DATE		
CMO	02-27-07	CMO	03-08-07	CMO	03-08-07		

