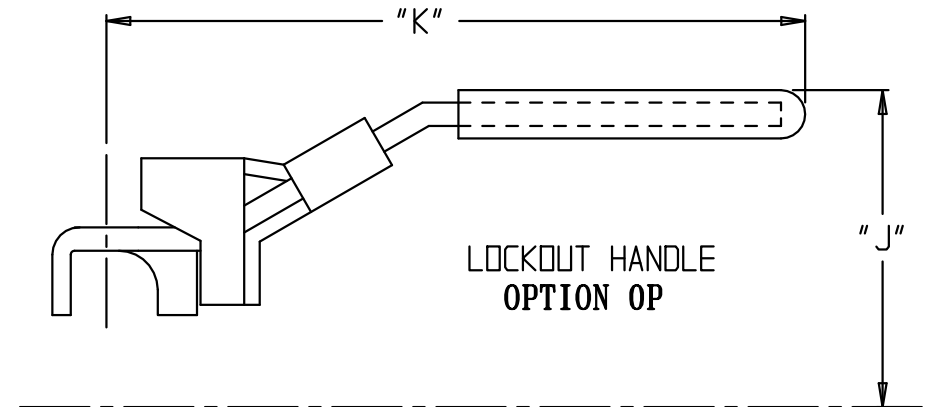
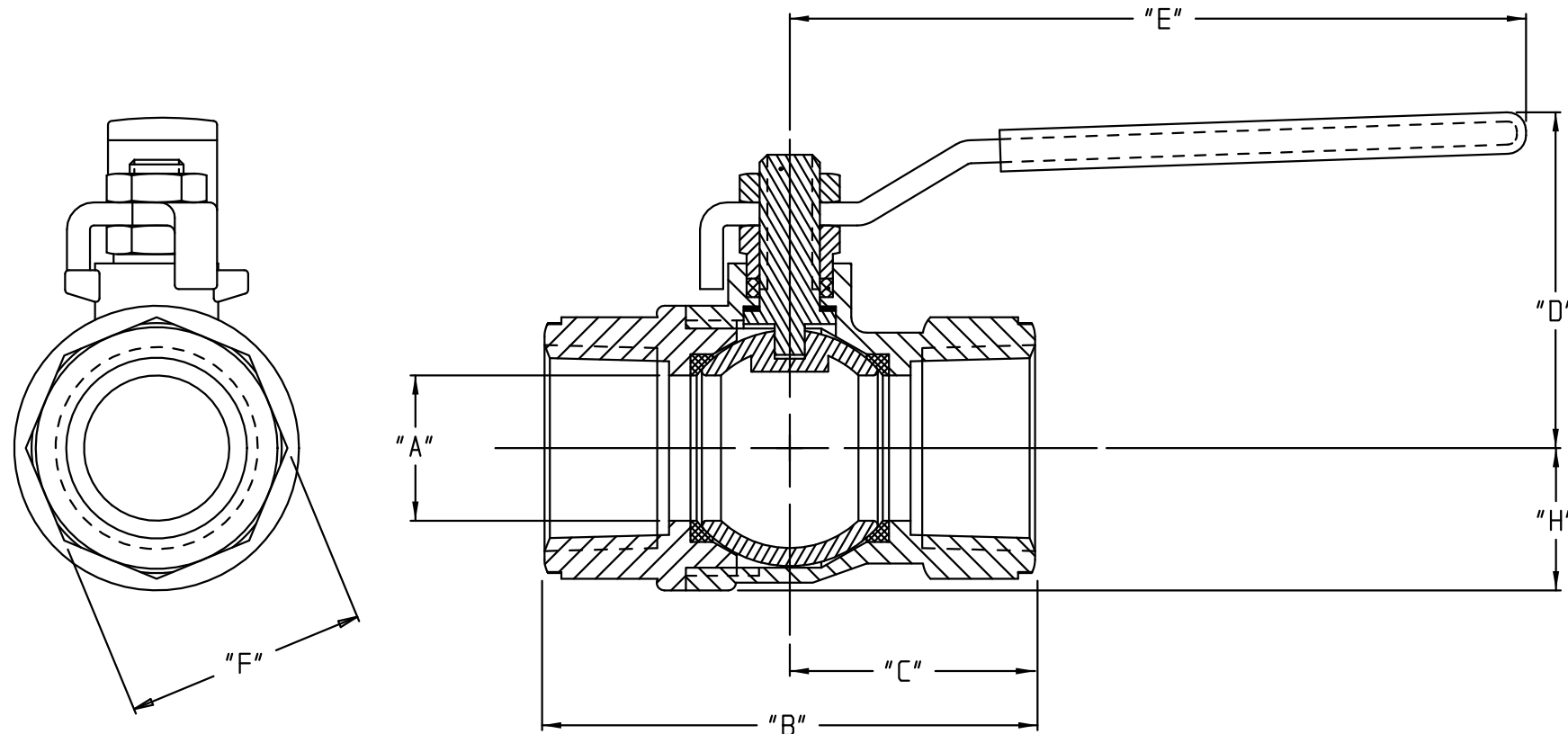


VMG2-A9XX 1/4

OPTION CODES

- BLANK - LEVER HANDLE
- OP - LOCKOUT HANDLE
- OE - 'T' HANDLE

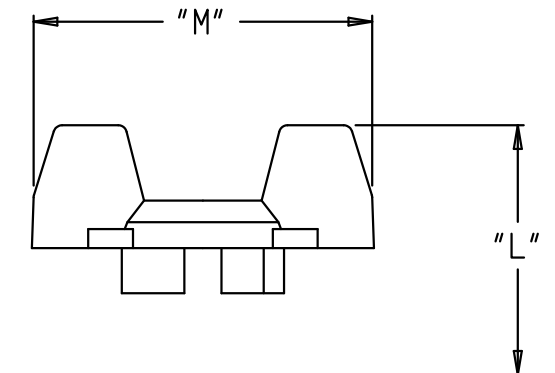


LOCKOUT HANDLE  
OPTION OP

∅ OF VALVE



Certified to  
NSF/ANSI 61-G



'T' HANDLE  
OPTION OE

∅ OF VALVE

MEETS NSF-61-G FOR USE WITH POTABLE WATER

CATALOG NO.	DIMENSIONS										
	"A"	"B"	"C"	"D"	"E"	"F"	"H"	"J"	"K"	"L"	"M"
VMG2-A9 1/4	.32	1.77	.89	1.56	3.23	.79 HEX	.50	1.80	3.70	1.53	1.95
VMG2-A9 3/8	.38	1.77	.89	1.56	3.23	.79 HEX	.50	1.80	3.70	1.53	1.95
VMG2-A9 1/2	.59	2.32	1.16	1.70	3.94	.98 OCT	.64	1.97	3.70	1.67	1.95
VMG2-A9 3/4	.75	2.52	1.26	1.98	4.72	1.22 OCT	.77	2.26	4.51	2.01	2.36
VMG2-A9 1	.95	3.19	1.59	2.15	4.72	1.58 OCT	.94	2.42	4.51	2.18	2.36
VMG2-A9 1 1/4	1.18	3.66	1.83	2.99	6.22	1.93 OCT	1.16	3.26	6.16	---	---
VMG2-A9 1 1/2	1.50	4.02	2.01	3.24	6.22	2.13 OCT	1.40	3.50	6.16	---	---

**UNCONTROLLED  
DRAWING**  
THIS PRINT IS THE PROPERTY  
OF DYNAQUIP CONTROLS AND  
SHALL NOT BE COPIED,  
REPRODUCED, LOANED,  
OR DISPOSED OF DIRECTLY  
OR INDIRECTLY, NOR USED  
FOR ANY PURPOSE OTHER THAN  
THAT FOR WHICH IT IS  
SPECIFICALLY FURNISHED  
EXCEPT BY WRITTEN  
PERMISSION OF  
DYNAQUIP CONTROLS.

<b>NO.</b>	VMG2-A9				<b>FILE NO.</b>	SUB241
<b>TITLE</b>	BALL VALVE 2 PC. BRASS F.P. NPT NSF-61-G HANDLE OPTIONS					

<b>DR</b>	<b>DATE</b>	<b>CH'KD</b>	<b>DATE</b>	<b>ENGR</b>	<b>DATE</b>
MJP	09-09-11	MJP	09-09-11	MJP	09-09-11

