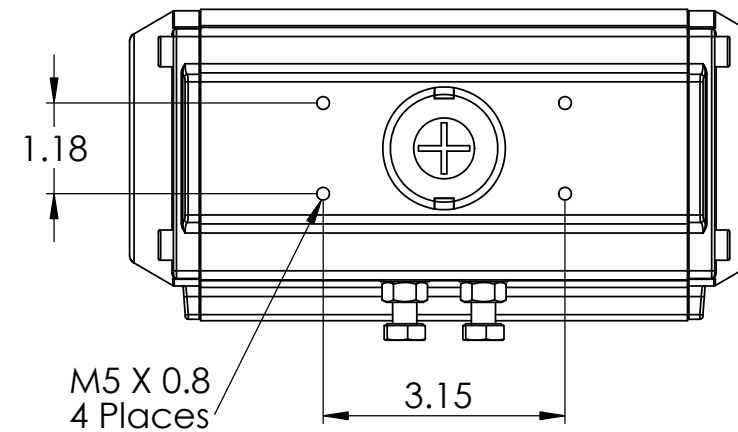
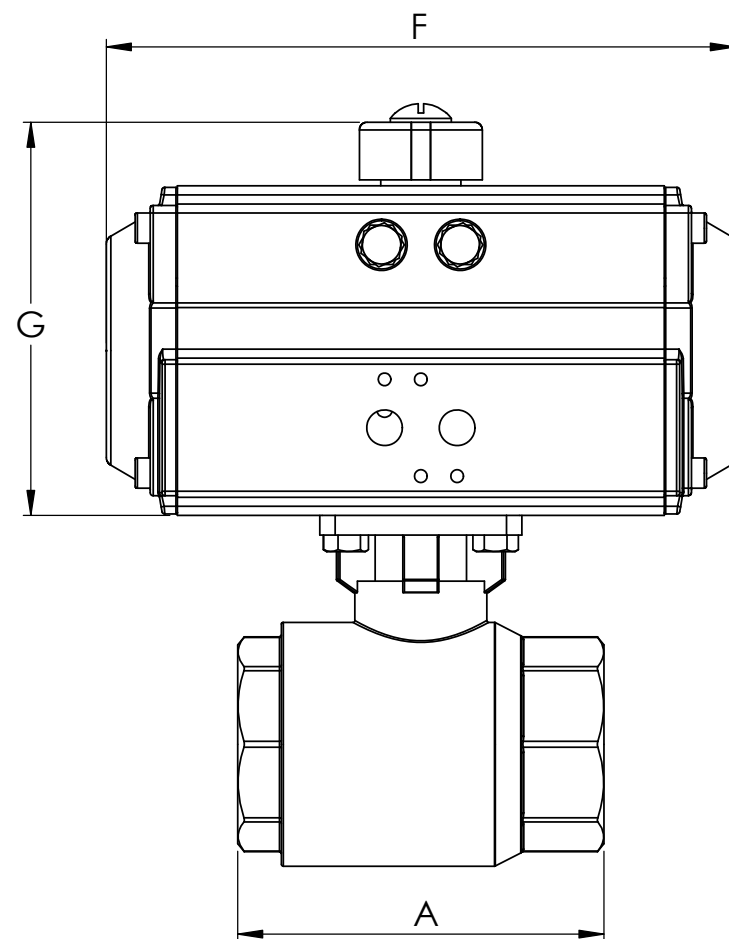
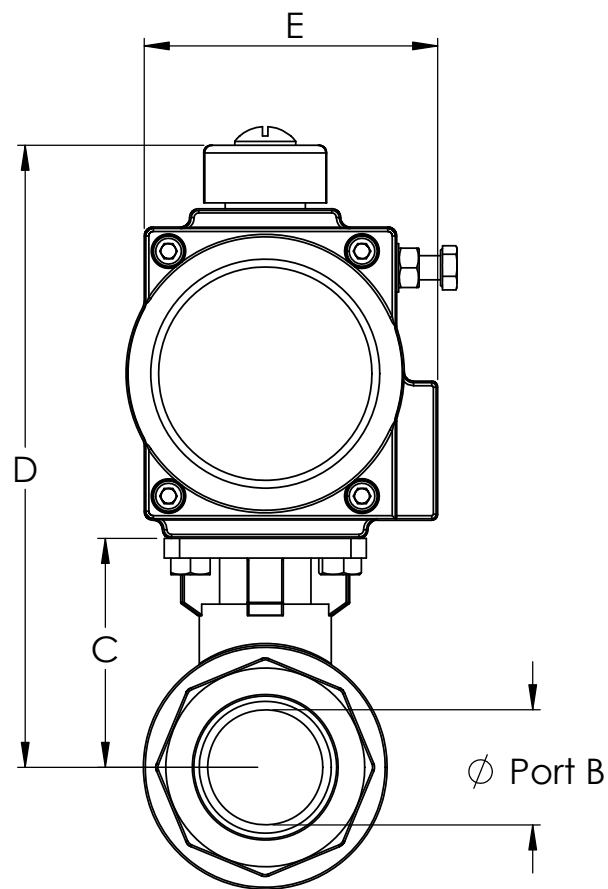


Model	PAS21ARUSR03410	PAS22ARUSR03410	PAS23ARUSR03410	PAS24ARUSR04810	PAS25ARUSR07510	PAS26ARUSR10510	PAS27ARUSR15710	PAS38ARUSR15710
Size	1/4 NPT	3/8 NPT	1/2 NPT	3/4 NPT	1 NPT	1 1/4 NPT	1 1/2 NPT	2 NPT
Cv	5.3	8	19	35	50	110	180	210
WOG	3000 psi	3000 psi	3000 psi	3000 psi	3000 psi	3000 psi	3000 psi	3000 psi
A	2.95	2.95	2.95	3.19	3.58	4.33	4.76	5.71
B	0.38	.38	.50	.69	.87	1.14	1.37	1.37
C	1.61	1.61	1.61	1.72	2.11	2.32	2.96	2.96
D	5.86	5.86	5.86	6.43	7.19	7.70	8.99	8.99
E	3.27	3.27	3.27	3.74	4.06	4.27	4.90	4.90
F	6.50	6.50	6.50	7.17	8.19	10.31	10.31	10.63
G	4.25	4.25	4.25	4.71	5.08	5.38	6.03	6.03
MAX Dif PSI	1500	1500	1500	1500	1500	1500	1500	1500
Actuator	UP034SR10	UP034SR10	UP034SR10	UP048SR10	UP075SR10	UP105SR10	UP157SR10	UP157SR10
Ambient Temp	-4° / 176°F	-4° / 176°F	-4° / 176°F	-4° / 176°F	-4° / 176°F	-4° / 176°F	-4° / 176°F	-4° / 176°F
Media Temp	-20° / 185°F	-20° / 185°F	-20° / 185°F	-20° / 185°F	-20° / 185°F	-20° / 185°F	-20° / 185°F	-20° / 185°F
Wt. lbs	6.04	6.04	6.13	8.39	11.04	16.27	23.31	25.71

FOR APPLICATIONS EXCEEDING LISTED TEMPERATURES, CALL TO DISCUSS OPTIONS



SIZE 1/4" - 1/2" WILL INCLUDE A 1.57" TALL BRACKET

MODEL NUMBERS LISTED ABOVE INDICATE SS BALL VALVES - PAS...

FOR CARBON STEEL BALL VALVES, MODEL NUMBERS START - PAC...

UNCONTROLLED DRAWING

THIS PRINT IS THE PROPERTY OF DYNAQUIP CONTROLS AND SHALL NOT BE COPIED, REPRODUCED, LOANED, OR DISPOSED OF DIRECTLY OR INDIRECTLY, NOR USED FOR ANY PURPOSE OTHER THAN THAT FOR WHICH IT IS SPECIFICALLY FURNISHED EXCEPT BY WRITTEN PERMISSION OF DYNAQUIP CONTROLS.

NO. PAS/ PAC SERIES

FILE NO.
Sub546

TITLE
**BALL VALVE
FULL PORT HIGH PRESSURE - NPT
UP-SR NC ACTUATOR**

DR	DATE	CHKD	DATE	ENGR	DATE
MDC	08-26-24	MDC	08-26-24	MDC	08-26-24

DynaQuip®
CONTROLS CORPORATION