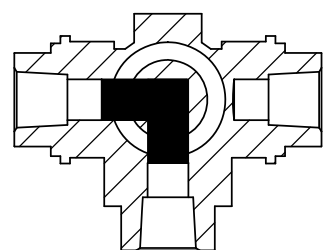
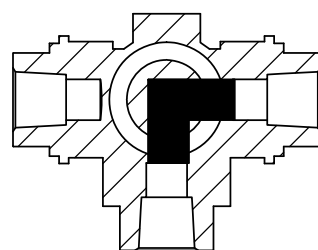


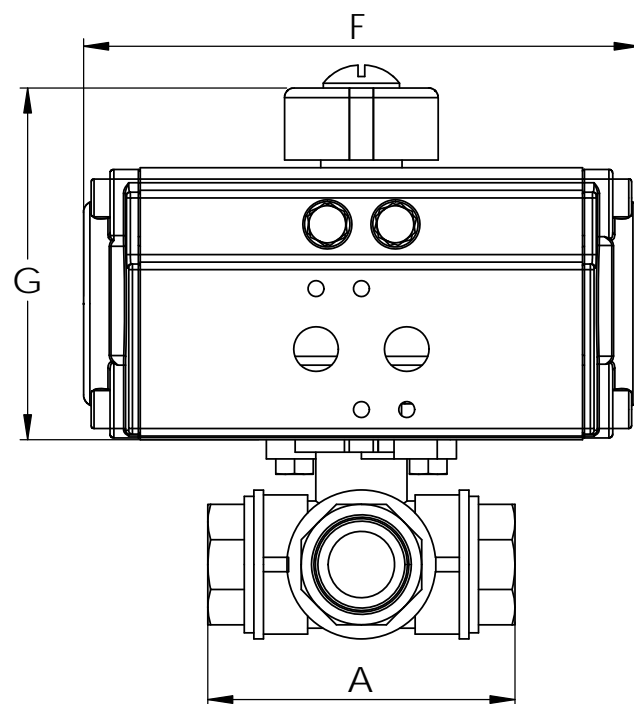
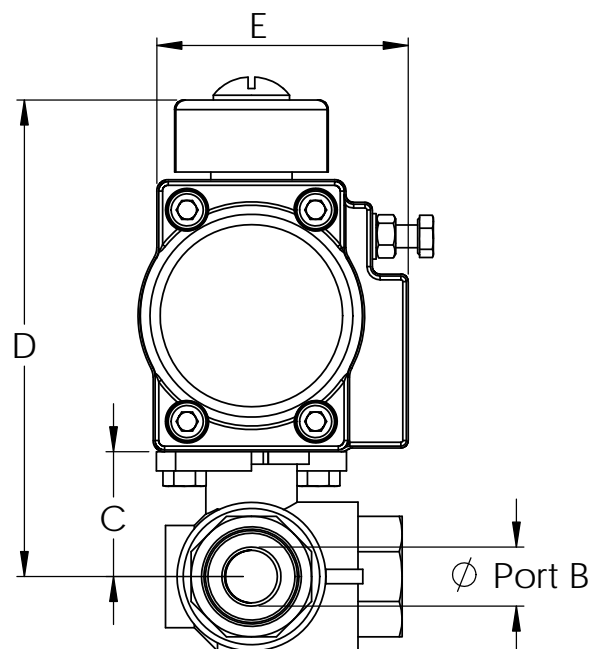
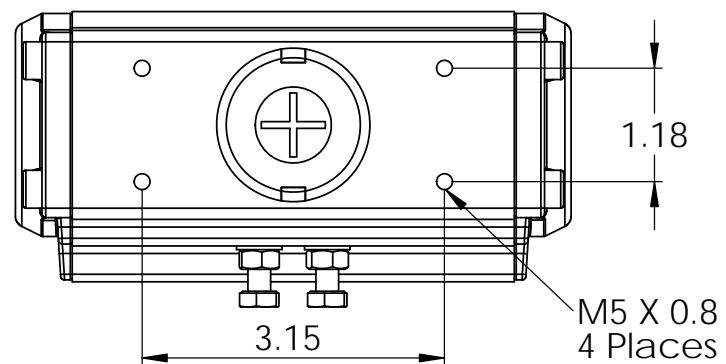
Model	PYHG1AUUSR0209	PYHG2AUUSR0209	PYHG3AUUSR0209	PYHG4AUUSR0209	PYHG5AUUSR0489	PYHG6AUUSR0489	PYHG7AUUSR0489	PYHG8AUUSR1059	PYHG9AUUSR10510	PYHGAAUUSR1579
Size	1/4 NPT	3/8 NPT	1/2 NPT	3/4 NPT	1 NPT	1 1/4 NPT	1 1/2 NPT	2 NPT	2 1/2 NPT	3 NPT
Cv	10	16	37	68	109	185	268	486	791	1150
CWP / WSP	400 / 100 psi	400 / 100 psi	400 / 100 psi	400 / 100 psi	400 / 100 psi	400 / 100 psi	400 / 100 psi	400 / 100 psi	400 / 100 psi	400 / 100 psi
A	2.64	2.64	2.87	3.19	3.74	4.39	4.86	5.73	6.93	7.08
B	0.39	0.43	0.43	0.59	0.79	0.98	1.26	1.57	1.95	1.95
C	1.20	1.20	1.20	1.29	1.63	1.85	2.34	2.90	3.35	3.35
D	4.82	4.82	4.82	4.91	6.34	6.56	7.05	8.28	8.73	9.38
E	2.81	2.81	2.81	2.81	3.74	3.74	3.74	4.27	4.27	4.90
F	5.79	5.79	5.79	5.79	7.17	7.17	7.17	10.31	10.31	10.63
G	3.62	3.62	3.62	3.62	4.71	4.71	4.71	5.38	5.38	6.03
Sized for Max. Δ PSI	300 psi	300 psi	300 psi	300 psi	300 psi	300 psi	300 psi	300 psi	300 psi	300 psi
Actuator	UP020SR9	UP020SR9	UP020SR9	UP020SR9	UP048SR9	UP048SR9	UP048SR9	UP105SR9	UP105SR10	UP157SR9
Ambient Temp	-4° / 176°F	-4° / 176°F	-4° / 176°F	-4° / 176°F	-4° / 176°F	-4° / 176°F	-4° / 176°F	-4° / 176°F	-4° / 176°F	-4° / 176°F
Media Temp	-4° / 235°F	-4° / 235°F	-4° / 235°F	-4° / 235°F	-4° / 235°F	-4° / 235°F	-4° / 235°F	-4° / 235°F	-4° / 235°F	-4° / 235°F
Wt. lbs	4.52	4.46	4.51	4.77	9.04	10.55	12.42	20.76	27.79	30.9



Closed Position



Open Position



FOR APPLICATIONS EXCEEDING LISTED TEMPERATURES, CALL TO DISCUSS OPTIONS

VALVE DATA

Body/End Cap	Brass
Stem	Brass, Nickel Plated
Ball	Brass, Nickel-Chrome Plated
Seats	PTFE
Thrustwasher	PTFE
Stem Seal	VITON O-Ring

UNCONTROLLED DRAWING

THIS PRINT IS THE PROPERTY OF DYNAQUIP CONTROLS AND SHALL NOT BE COPIED, REPRODUCED, LOANED, OR DISPOSED OF DIRECTLY OR INDIRECTLY, NOR USED FOR ANY PURPOSE OTHER THAN THAT FOR WHICH IT IS SPECIFICALLY FURNISHED EXCEPT BY WRITTEN PERMISSION OF DYNAQUIP CONTROLS.

NO. PYHG SERIES

FILE NO.
Sub564

TITLE
BALL VALVE BRASS
L PORT - NPT
UP-SR NC ACTUATOR

DR	DATE	CHKD	DATE	ENGR	DATE
MDC	08-27-24	MDC	08-27-24	MDC	08-27-24

DynaQuip®
CONTROLS CORPORATION