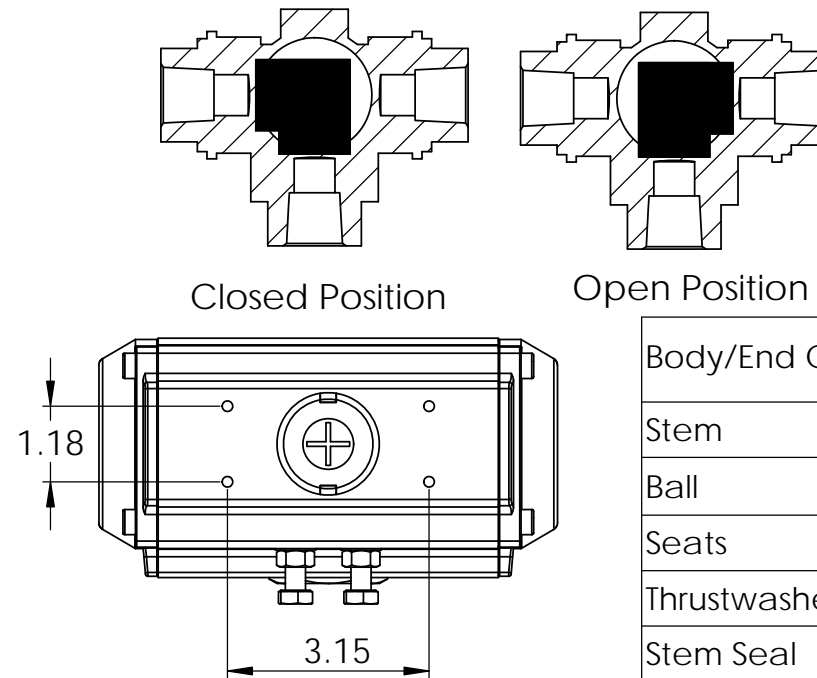
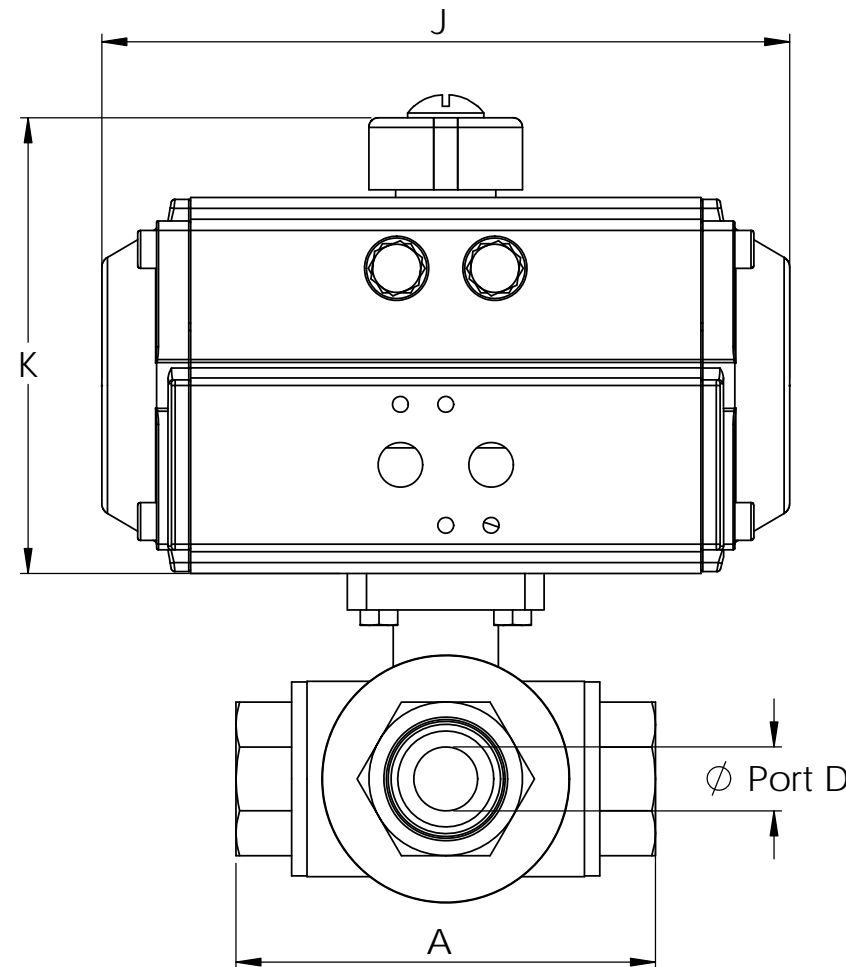
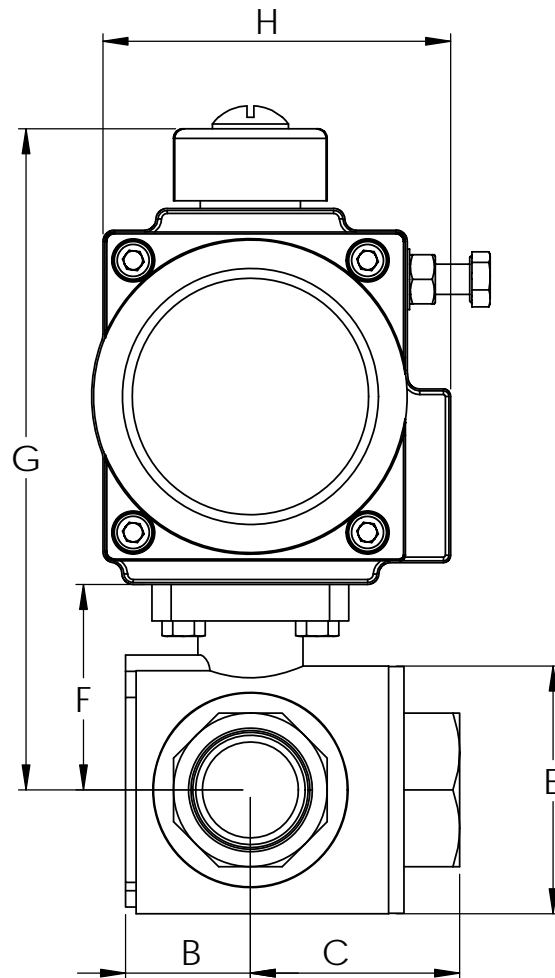


| Model                | PYSA1AJUSR0209 | PYSA2AJUSR0209 | PYSA3AJUSR03410 | PYSA4AJUSR0489 | PYSA5AJUSR1059 | PYSA6AJUSR2379 | PYSA7AJUSR2379 | PYSA8AJUSR4069 |
|----------------------|----------------|----------------|-----------------|----------------|----------------|----------------|----------------|----------------|
| Size                 | 1/4            | 3/8            | 1/2             | 3/4            | 1              | 1 1/4          | 1 1/2          | 2              |
| Cv                   | 4.3            | 4.1            | 7.4             | 13.7           | 21.5           | 35.0           | 50.9           | 89.7           |
| CWP                  | 1000 PSI       | 1000 PSI       | 1000 PSI        | 1000 PSI       | 1000 PSI       | 800 PSI        | 800 PSI        | 800 PSI        |
| A                    | 2.71           | 2.71           | 3.14            | 3.77           | 4.37           | 4.80           | 5.67           | 6.68           |
| B                    | .80            | .80            | .88             | 1.05           | 1.29           | 1.48           | 1.81           | 2.26           |
| C                    | 1.35           | 1.35           | 1.57            | 1.89           | 2.18           | 2.40           | 2.84           | 3.34           |
| D                    | .47            | .47            | 0.59            | .79            | 1.00           | 1.25           | 1.50           | 2.00           |
| E                    | 1.50           | 1.50           | 1.73            | 2.08           | 2.58           | 2.67           | 3.65           | 4.61           |
| F                    | 1.50           | 1.50           | 1.60            | 1.91           | 2.14           | 2.48           | 2.89           | 3.63           |
| G                    | 5.12           | 5.12           | 5.85            | 6.62           | 7.52           | 9.37           | 9.78           | 11.19          |
| H                    | 2.81           | 2.81           | 3.27            | 3.74           | 4.27           | 5.59           | 5.59           | 6.00           |
| J                    | 5.79           | 5.79           | 6.50            | 7.17           | 10.31          | 11.85          | 11.85          | 15.55          |
| K                    | 3.62           | 3.62           | 4.25            | 4.71           | 5.38           | 6.89           | 6.89           | 7.56           |
| Sized for Max. Δ PSI | 300 PSI        | 300 PSI        | 300 psi         | 300 psi        | 300 psi        | 300 psi        | 300 psi        | 300 psi        |
| Actuator             | UP020SR9       | UP020SR9       | UP034SR10       | UP048SR9       | UP105SR9       | UP237SR9       | UP237SR9       | UP406SR9       |
| Ambient Temp         | -4° / 176°F    | -4° / 176°F    | -4°/176°F       | -4°/176°F      | -4°/176°F      | -4°/176°F      | -4°/176°F      | -4°/176°F      |
| Media Temp           | -4° / 235°F    | -4° / 235°F    | -4° / 235°F     | -4° / 235°F    | -4° / 235°F    | -4° / 235°F    | -4° / 235°F    | -4° / 235°F    |
| Wt. lbs              | 5.9            | 5.9            | 7.71            | 11.89          | 20.74          | 37.87          | 41.87          | 63.67          |

**FOR APPLICATIONS EXCEEDING LISTED TEMPERATURES, CALL TO DISCUSS OPTIONS**



1/2" ASSEMBLY WILL INCLUDE A 1.57" TALL MOUNTING BRACKET

**VALVE DATA**

|              |   |
|--------------|---|
| Body/End Cap | ASTM A351 GR CF8M (316 Stainless Steel) |
| Stem         | 316 Stainless Steel                     |
| Ball         | 316 Stainless Steel                     |
| Seats        | TFM                                     |
| Thrustwasher | P.E.E.K Food Grade                      |
| Stem Seal    | TFM/Viton                               |

**UNCONTROLLED DRAWING**

THIS PRINT IS THE PROPERTY OF DYNAQUIP CONTROLS AND SHALL NOT BE COPIED, REPRODUCED, LOANED, OR DISPOSED OF DIRECTLY OR INDIRECTLY, NOR USED FOR ANY PURPOSE OTHER THAN THAT FOR WHICH IT IS SPECIFICALLY FURNISHED EXCEPT BY WRITTEN PERMISSION OF DYNAQUIP CONTROLS.

**NO. PYSA SERIES**

FILE NO. Sub567

TITLE  
**BALL VALVE SS  
 FP 3WAY L PORT - NPT  
 UP-SR NC ACTUATOR**

| DR  | DATE     | CHKD | DATE     | ENGR | DATE     |
|-----|----------|------|----------|------|----------|
| MDC | 08-27-24 | MDC  | 08-27-24 | MDC  | 08-27-24 |

**DynaQuip®**  
**CONTROLS CORPORATION**