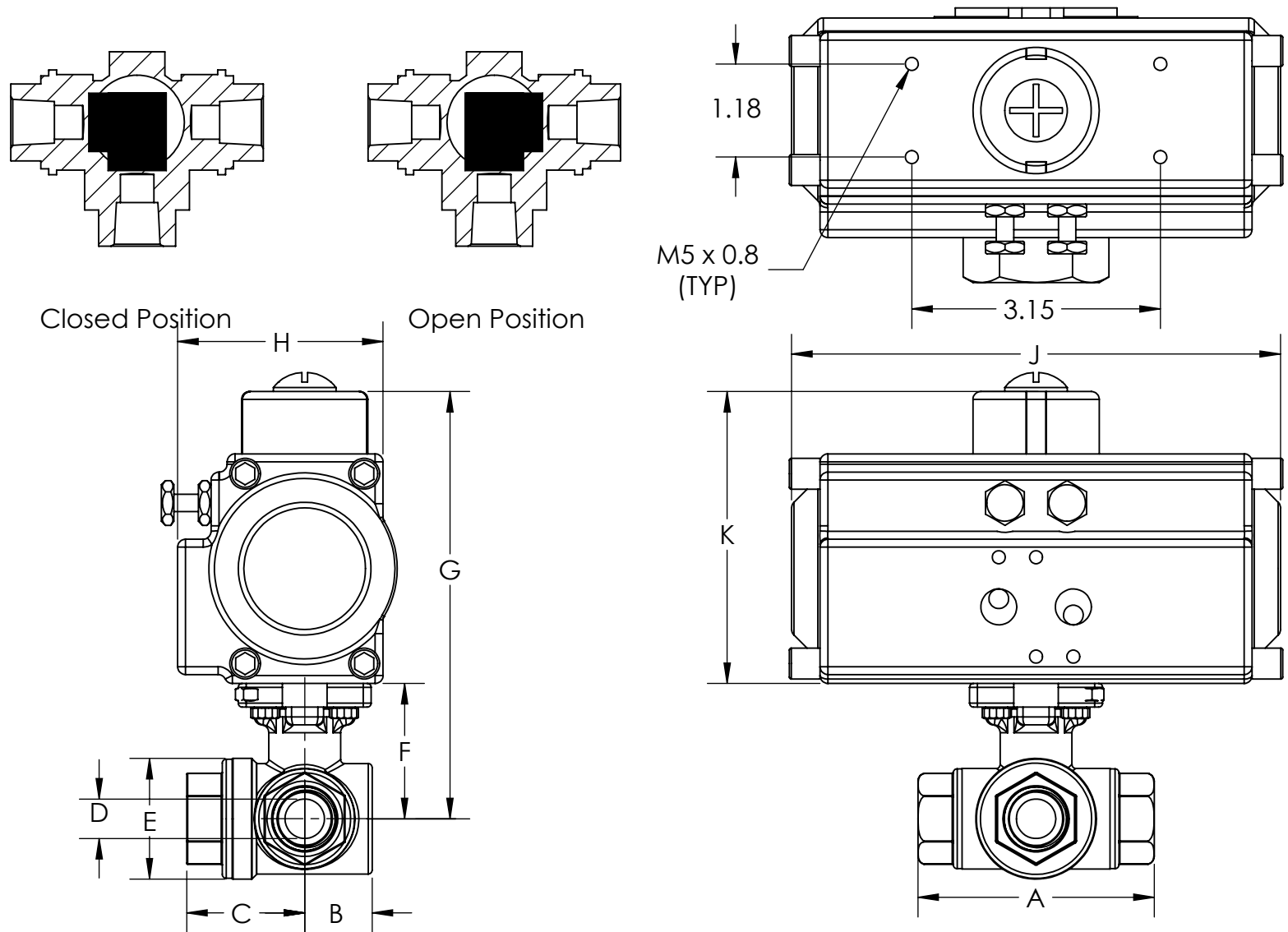


Model	PYSA1AJDA052	PYSA2AJDA052	PYSA3AJDA052	PYSA4AJDA052	PYSA5AJDA075	PYSA6AJDA092	PYSA7AJDA092	PYSA8AJDA105
Size	1/4	3/8	1/2	3/4	1	1 1/4	1 1/2	2
Cv	4.3	4.1	7.4	13.7	21.5	35.0	50.9	89.7
CWP	1000 PSI	1000 PSI	1000 PSI	1000 PSI	1000 PSI	800 PSI	800 PSI	800 PSI
A	2.71	2.71	3.14	3.77	4.37	4.80	5.67	6.68
B	.80	.80	.88	1.05	1.29	1.48	1.81	2.26
C	1.35	1.35	1.57	1.89	2.18	2.40	2.84	3.34
D	.47	.47	0.59	.79	1.00	1.25	1.50	2.00
E	1.50	1.50	1.73	2.08	2.58	2.67	3.65	4.61
F	1.50	1.50	1.60	1.91	2.14	2.48	2.89	3.63
G	5.20	5.20	5.30	5.61	6.86	7.99	8.40	9.65
H	2.36	2.36	2.36	2.36	3.11	3.84	3.84	4.15
J	6.22	6.22	6.22	6.22	8.15	10.2	10.2	11.18
K	3.70	3.70	3.70	3.70	4.72	5.51	5.51	6.02
Sized for Max. Δ PSI	300 PSI	300 PSI	300 psi	300 psi	300 psi	300 psi	300 psi	300 psi
Actuator	HP052DA	HP052DA	HP052DA	HP052DA	HP075DA	HP092DA	HP092DA	HP105DA
Ambient Temp	-4° / 176°F	-4° / 176°F	-4°/176°F	-4°/176°F	-4°/176°F	-4°/176°F	-4°/176°F	-4°/176°F
Media Temp	-4° / 235°F	-4° / 235°F	-4° / 235°F	-4° / 235°F	-4° / 235°F	-4° / 235°F	-4° / 235°F	-4° / 235°F
Wt. lbs	3.70	3.70	4.18	5.50	10.98	22.90	22.90	36.30



FOR APPLICATIONS EXCEEDING LISTED TEMPERATURES, CALL TO DISCUSS OPTIONS

Valve Data

Body/End Cap	ASTM A351 GR CF8M (316 Stainless Steel)
Stem	316 Stainless Steel
Ball	316 Stainless Steel
Seats	TFM
Thrustwasher	P.E.E.K Food Grade
Stem Seal	TFM/Viton

UNCONTROLLED DRAWING

THIS PRINT IS THE PROPERTY OF DYNAQUIP CONTROLS AND SHALL NOT BE COPIED, REPRODUCED, LOANED, OR DISPOSED OF DIRECTLY OR INDIRECTLY, NOR USED FOR ANY PURPOSE OTHER THAN THAT FOR WHICH IT IS SPECIFICALLY FURNISHED EXCEPT BY WRITTEN PERMISSION OF DYNAQUIP CONTROLS.

NO.

PYSA Series

FILE NO. SUB 121.1

TITLE

Ball Valve SS
FP 3WAY - NPT
HP-DA Actuator

DR
CMM

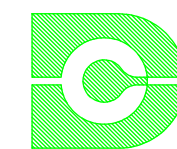
DATE
12-09-22

CH'KD

DATE

ENGR

DATE



DynaQuip Controls