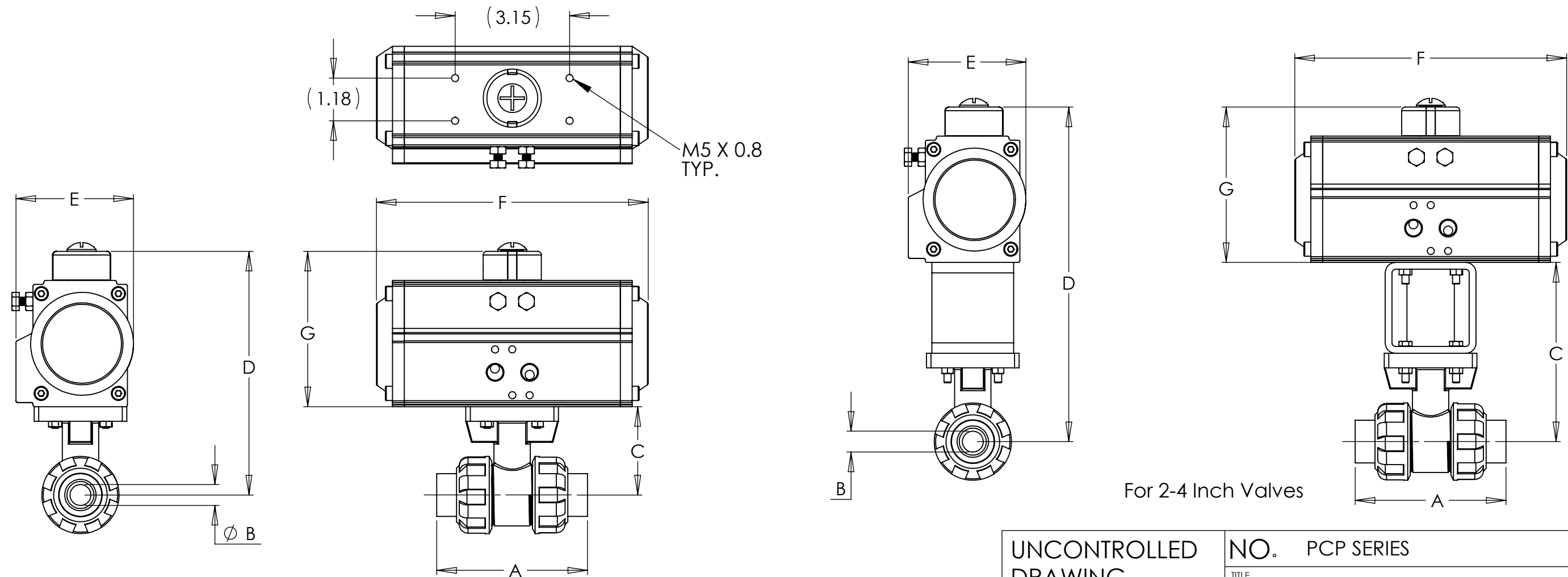


MODEL	PCP23Z5SR06310	PCP24Z5SR06310	PCP25Z5SR06310	PCP26Z5SR06310	PCP27Z5SR06310	PCP28Z5SR06310	PCP29Z5SR07512	PCP2AZ5SR07512	PCP2BZ5SR09210
SIZE	1/2 NPT	3/4 NPT	1 NPT	1 1/4 NPT	1 1/2 NPT	2 NPT	2 1/2 NPT	3 NPT	4 NPT
WOG	230 PSI	230 PSI	230 PSI	230 PSI	230 PSI	230 PSI	145 PSI	145 PSI	145 PSI
A	3.32	3.73	4.72	5.66	6.20	7.09	8.60	10.42	12.10
B	.59	.77	.98	1.26	1.5	1.97	2.50	2.99	3.99
C	2.41	2.54	2.68	3.13	3.64	5.68	6.45	6.45	7.05
D	6.66	6.79	6.93	7.38	7.89	9.93	10.57	11.17	12.56
E	3.19	3.19	3.19	3.19	3.19	3.19	3.70	3.70	4.27
F	7.48	7.48	7.48	7.48	7.48	7.48	8.15	8.15	10.20
G	4.25	4.25	4.25	4.25	4.25	4.25	4.72	4.72	5.51
ACTUATOR	HP063SR10	HP063SR10	HP063SR10	HP063SR10	HP063SR10	HP063SR10	HP075SR12	HP075SR12	HP092SR10
Ambient Temp	33°F / 113°F	33°F / 113°F	33°F / 113°F	33°F / 113°F	33°F / 113°F	33°F / 113°F	33°F / 113°F	33°F / 113°F	33°F / 113°F
Media Temp	33°F / 113°F	33°F / 113°F	33°F / 113°F	33°F / 113°F	33°F / 113°F	33°F / 113°F	33°F / 113°F	33°F / 113°F	33°F / 113°F
WT. LBS.	4.8	5.0	5.3	5.7	6.0	9.0	13.3	13.5	17.8

Valve Data

Body/End Cap	PVC
Stem	PVC
Ball	PVC
Seats	EPDM
Stem Seal	PTFE



UNCONTROLLED DRAWING

THIS PRINT IS THE PROPERTY OF DYNAQUIP CONTROLS AND SHALL NOT BE COPIED, REPRODUCED, LOANED, OR DISPOSED OF DIRECTLY OR INDIRECTLY, NOR USED FOR ANY PURPOSE OTHER THAN THAT FOR WHICH IT IS SPECIFICALLY FURNISHED EXCEPT BY WRITTEN PERMISSION OF DYNAQUIP CONTROLS.

NO. PCP SERIES

FILE NO. SUB431

TITLE

PVC VALVE
EPDM/PTFE FULL PORT
HP SR NC ACTUATOR

DR
MDC

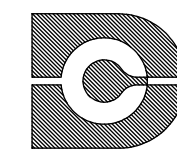
DATE
12-13-22

CH'KD
CMM

DATE
12-20-18

ENGR
CMM

DATE
12-20-18



**DynaQuip
Controls**