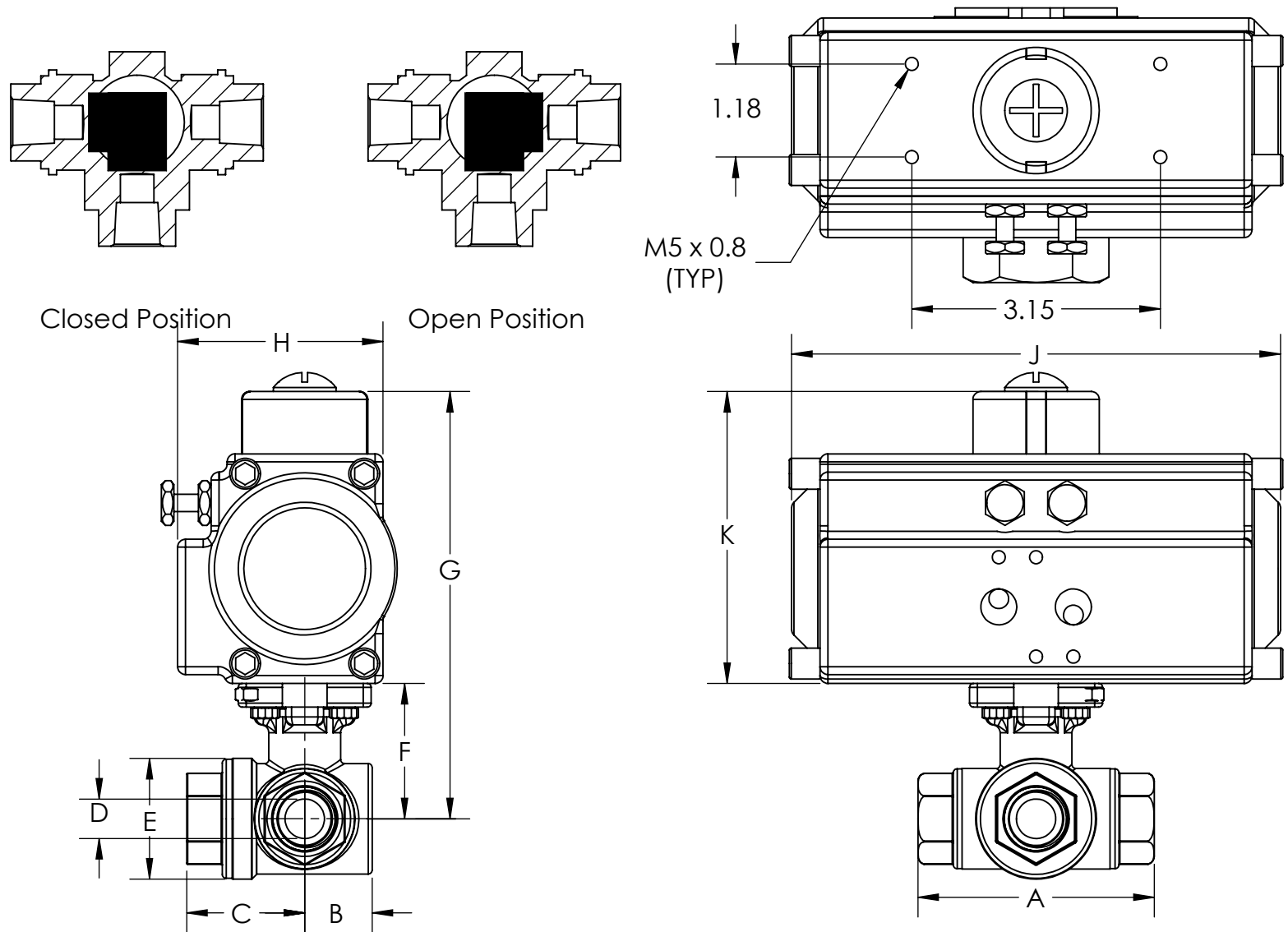


Model	PYSA1AJSR05210	PYSA2AJSR05210	PYSA3AJSR06412	PYSA4AJSR07510	PYSA5AJSR09210	PYSA6AJSR12510	PYSA7AJSR12510	PYSA8AJSR14010
Size	1/4	3/8	1/2	3/4	1	1 1/4	1 1/2	2
Cv	4.3	4.1	7.4	13.7	21.5	35.0	50.9	89.7
CWP	1000 PSI	1000 PSI	1000 PSI	1000 PSI	1000 PSI	800 PSI	800 PSI	800 PSI
A	2.71	2.71	3.14	3.77	4.37	4.80	5.67	6.68
B	.80	.80	.88	1.05	1.29	1.48	1.81	2.26
C	1.35	1.35	1.57	1.89	2.18	2.40	2.84	3.34
D	.47	.47	0.59	.79	1.00	1.25	1.50	2.00
E	1.50	1.50	1.73	2.08	2.58	2.67	3.65	4.61
F	1.50	1.50	1.60	1.91	2.14	2.48	2.89	3.63
G	5.20	5.20	5.85	6.63	7.65	7.91	9.78	11.17
H	2.79	2.79	3.19	3.70	4.27	5.43	5.43	6.02
J	6.24	6.24	7.48	8.15	10.20	13.39	13.39	16.30
K	3.70	3.70	4.25	4.72	5.51	6.89	6.89	7.54
Sized for Max. Δ PSI	300 PSI	300 PSI	300 psi	300 psi	300 psi	300 psi	300 psi	300 psi
Actuator	HP052SR10	HP052SR10	HP064SR12	HP075SR10	HP092SR10	HP125SR10	HP125SR10	HP140SR10
Ambient Temp	-4° / 176°F	-4° / 176°F	-4°/176°F	-4°/176°F	-4°/176°F	-4°/176°F	-4°/176°F	-4°/176°F
Media Temp	-4° / 235°F	-4° / 235°F	-4° / 235°F	-4° / 235°F	-4° / 235°F	-4° / 235°F	-4° / 235°F	-4° / 235°F
Wt. lbs	3.70	3.70	5.48	9.00	16.08	29.90	33.90	52.40



FOR APPLICATIONS EXCEEDING LISTED TEMPERATURES, CALL TO DISCUSS OPTIONS

Valve Data

Body/End Cap	ASTM A351 GR CF8M (316 Stainless Steel)
Stem	316 Stainless Steel
Ball	316 Stainless Steel
Seats	TFM
Thrustwasher	P.E.E.K Food Grade
Stem Seal	TFM/Viton

UNCONTROLLED DRAWING

THIS PRINT IS THE PROPERTY OF DYNAQUIP CONTROLS AND SHALL NOT BE COPIED, REPRODUCED, LOANED, OR DISPOSED OF DIRECTLY OR INDIRECTLY, NOR USED FOR ANY PURPOSE OTHER THAN THAT FOR WHICH IT IS SPECIFICALLY FURNISHED EXCEPT BY WRITTEN PERMISSION OF DYNAQUIP CONTROLS.

NO. PYSA Series FILE NO. SUB 127.1

TITLE Ball Valve SS
FP 3WAY - NPT
HP-N.C. SR Actuator

DR	DATE	CH'KD	DATE	ENGR	DATE
CMM	12-09-22				

