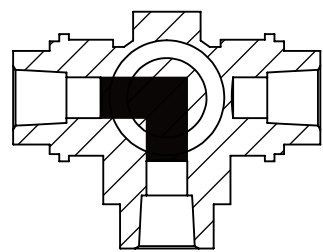
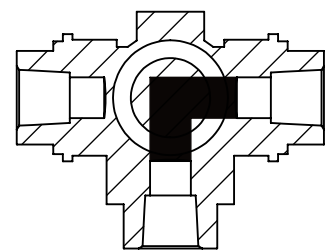


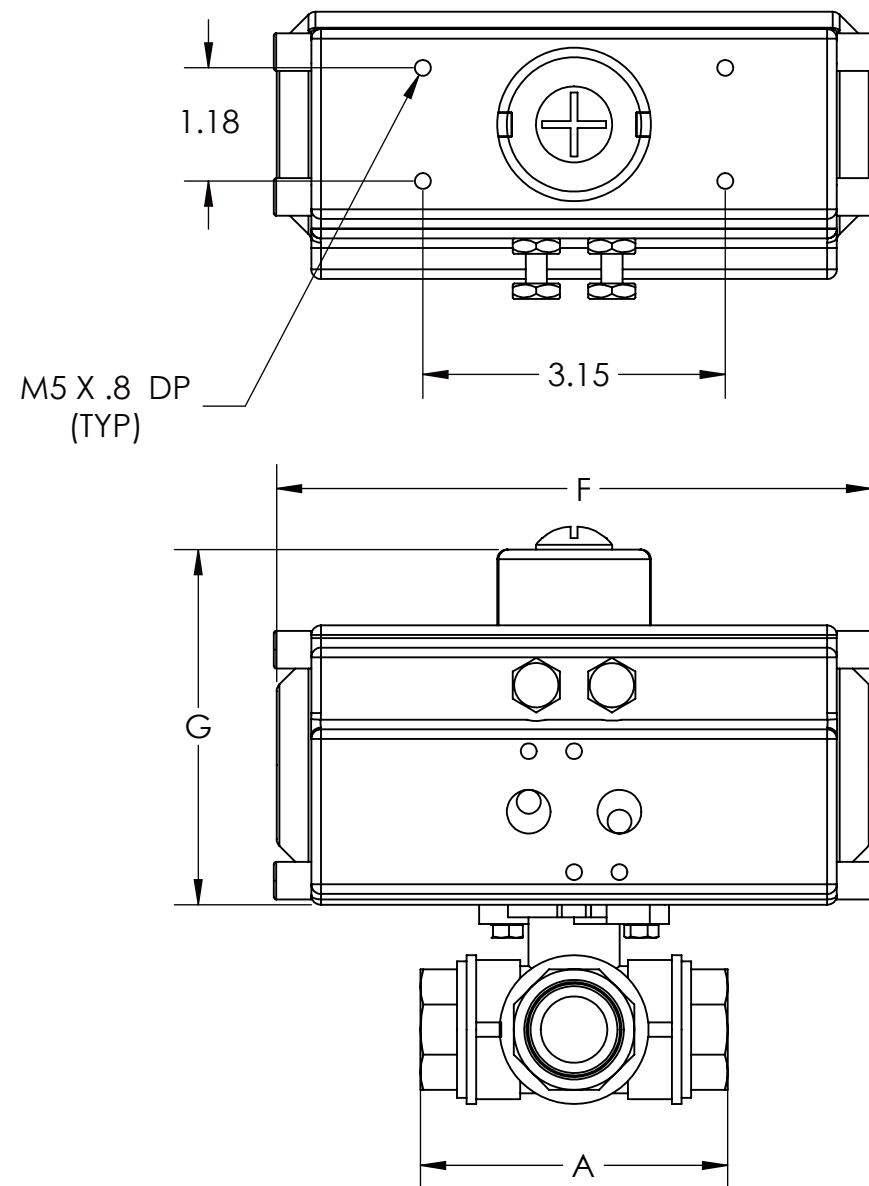
Model	PYHG1AUSR05210F	PYHG2AUSR05210F	PYHG3AUSR05210F	PYHG4AUSR05210F	PYHG5AUSR07510F	PYHG6AUSR07510F	PYHG7AUSR07510F	PYHG8AUSR09210F	PYHG9AUSR09212F	PYHGAAUSR10510F
Size	1/4 NPT	3/8 NPT	1/2 NPT	3/4 NPT	1 NPT	1 1/4 NPT	1 1/2 NPT	2 NPT	2 1/2 NPT	3 NPT
Cv	10	16	37	68	109	185	268	486	791	1150
CWP / WSP	400 / 100 psi	400 / 100 psi	400 / 100 psi	400 / 100 psi	400 / 100 psi	400 / 100 psi	400 / 100 psi	400 / 100 psi	400 / 100 psi	400 / 100 psi
A	2.64	2.64	2.87	3.19	3.74	1.39	4.86	5.73	6.93	7.08
B	0.39	0.43	0.43	0.59	0.79	0.98	1.26	1.57	1.95	1.95
C	1.20	1.20	1.20	1.29	1.63	1.85	2.34	2.90	3.35	3.35
D	5.43	5.43	5.66	5.98	7.44	5.09	8.56	10.00	11.20	11.86
E	2.79	2.79	2.79	2.79	3.70	3.70	3.70	4.27	4.27	4.78
F	6.24	6.24	6.24	6.24	8.15	8.15	8.15	10.20	10.20	11.30
G	3.70	3.70	3.70	3.70	4.72	4.72	4.72	5.51	5.51	6.02
Sized for Max. Δ PSI	300 psi	300 psi	300 psi	300 psi	300 psi	300 psi	300 psi	300 psi	300 psi	300 psi
Actuator	HP052SR10F	HP052SR10F	HP052SR10F	HP052SR10F	HP075SR10F	HP075SR10F	HP075SR10F	HP092SR10F	HP092SR12F	HP105SR10F
Ambient Temp	-4° / 176°F	-4° / 176°F	-4° / 176°F	-4° / 176°F	-4° / 176°F	-4° / 176°F	-4° / 176°F	-4° / 176°F	-4° / 176°F	-4° / 176°F
Media Temp	-4° / 235°F	-4° / 235°F	-4° / 235°F	-4° / 235°F	-4° / 235°F	-4° / 235°F	-4° / 235°F	-4° / 235°F	-4° / 235°F	-4° / 235°F
Wt. lbs	3.42	3.36	3.41	3.67	9.44	10.95	12.82	21.80	28.83	32.05



Closed Position



Open Position



FOR APPLICATIONS EXCEEDING LISTED TEMPERATURES, CALL TO DISCUSS OPTIONS

### Valve Data

Body/End Cap	Brass
Stem	Brass, Nickel Plated
Ball	Brass, Nickel-Chrome Plated
Seats	PTFE
Thrustwasher	PTFE
Stem Seal	VITON O-Ring

**UNCONTROLLED DRAWING**

THIS PRINT IS THE PROPERTY OF DYNAQUIP CONTROLS AND SHALL NOT BE COPIED, REPRODUCED, LOANED, OR DISPOSED OF DIRECTLY OR INDIRECTLY, NOR USED FOR ANY PURPOSE OTHER THAN THAT FOR WHICH IT IS SPECIFICALLY FURNISHED EXCEPT BY WRITTEN PERMISSION OF DYNAQUIP CONTROLS.

NO.

PYHG Series

FILE NO.  
Sub330

TITLE

Ball Valve Brass  
L Port - NPT  
HP-SR NO Actuator

DR  
CMM

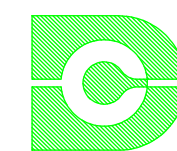
DATE  
12-09-22

CHKD  
MWS

DATE  
06-30-15

ENGR  
MWS

DATE  
06-30-15



**DynaQuip  
Controls**