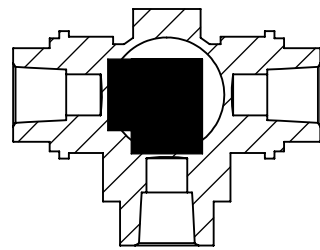
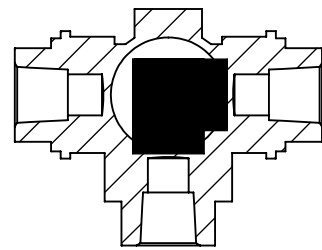


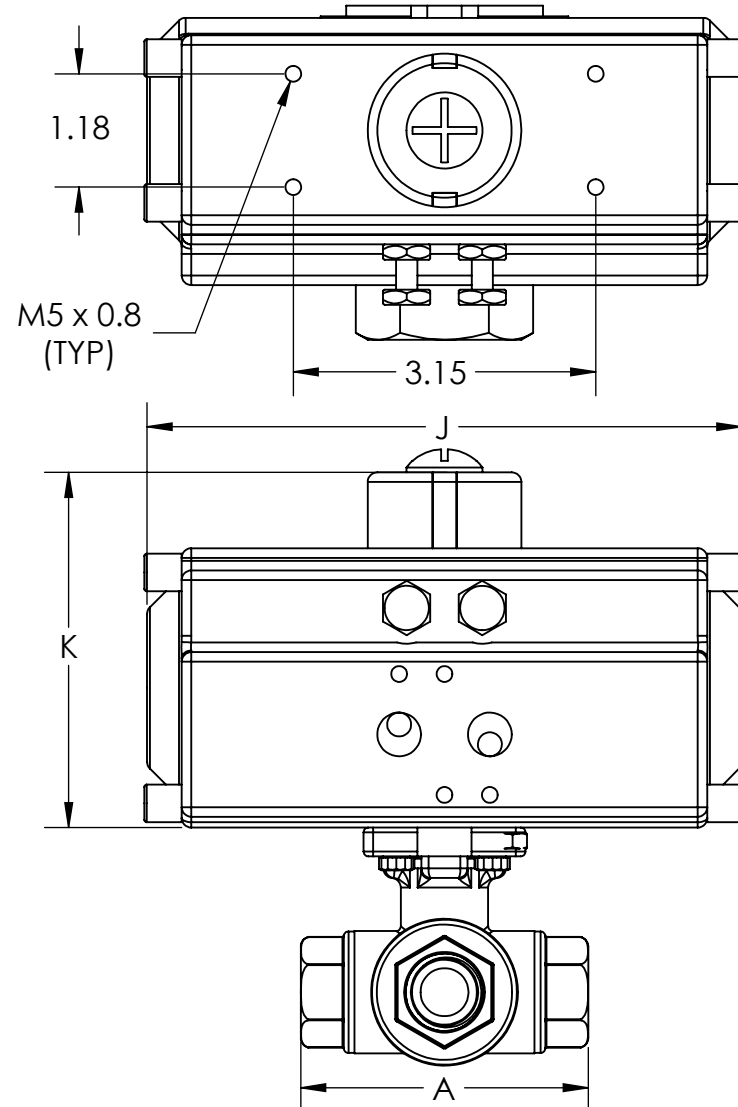
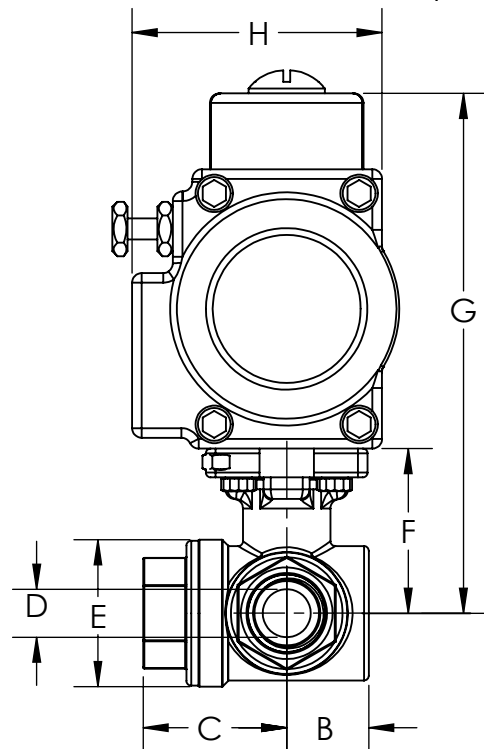
Model	PYSA1AJSR05210F	PYSA2AJSR05210F	PYSA3AJSR06412F	PYSA4AJSR07510F	PYSA5AJSR09210F	PYSA6AJSR12510F	PYSA7AJSR12510F	PYSA8AJSR14010F
Size	1/4	3/8	1/2	3/4	1	1 1/4	1 1/2	2
Cv	4.3	4.1	7.4	13.7	21.5	35.0	50.9	89.7
CWP	1000 PSI	1000 PSI	1000 PSI	1000 PSI	1000 PSI	800 PSI	800 PSI	800 PSI
A	2.71	2.71	3.14	3.77	4.37	4.80	5.67	6.68
B	.80	.80	.88	1.05	1.29	1.48	1.81	2.26
C	1.35	1.35	1.57	1.89	2.18	2.40	2.84	3.34
D	.47	.47	0.59	.79	1.00	1.25	1.50	2.00
E	1.50	1.50	1.73	2.08	2.58	2.67	3.65	4.61
F	1.50	1.50	1.60	1.91	2.14	2.48	2.89	3.63
G	5.20	5.20	5.85	6.63	7.65	7.91	9.78	11.17
H	2.79	2.79	3.19	3.70	4.27	5.43	5.43	6.02
J	6.24	6.24	7.48	8.15	10.20	13.39	13.39	16.30
K	3.70	3.70	4.25	4.72	5.51	6.89	6.89	7.54
Sized for Max. Δ PSI	300 PSI	300 PSI	300 psi	300 psi	300 psi	300 psi	300 psi	300 psi
Actuator	HP052SR10F	HP052SR10F	HP064SR12F	HP075SR10F	HP092SR10F	HP125SR10F	HP125SR10F	HP140SR10F
Ambient Temp	-4° / 176°F	-4° / 176°F	-4°/176°F	-4°/176°F	-4°/176°F	-4°/176°F	-4°/176°F	-4°/176°F
Media Temp	-4° / 235°F	-4° / 235°F	-4° / 235°F	-4° / 235°F	-4° / 235°F	-4° / 235°F	-4° / 235°F	-4° / 235°F
Wt. lbs	3.70	3.70	5.48	9.00	16.08	33.90	33.90	52.40



Closed Position



Open Position



FOR APPLICATIONS EXCEEDING LISTED TEMPERATURES, CALL TO DISCUSS OPTIONS

### Valve Data

Body/End Cap	ASTM A351 GR CF8M (316 Stainless Steel)
Stem	316 Stainless Steel
Ball	316 Stainless Steel
Seats	TFM
Thrustwasher	P.E.E.K Food Grade
Stem Seal	TFM/Viton

**UNCONTROLLED DRAWING**

THIS PRINT IS THE PROPERTY OF DYNAQUIP CONTROLS AND SHALL NOT BE COPIED, REPRODUCED, LOANED, OR DISPOSED OF DIRECTLY OR INDIRECTLY, NOR USED FOR ANY PURPOSE OTHER THAN THAT FOR WHICH IT IS SPECIFICALLY FURNISHED EXCEPT BY WRITTEN PERMISSION OF DYNAQUIP CONTROLS.

NO.

PYSA Series

FILE NO.  
SUB 140

TITLE

Ball Valve SS  
FP 3WAY - NPT  
HP-N.O. SR Actuator

DR  
CMM

DATE

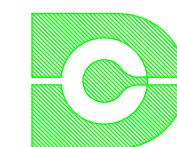
12-09-22

CH'KD

DATE

ENGR

DATE



**DynaQuip  
Controls**