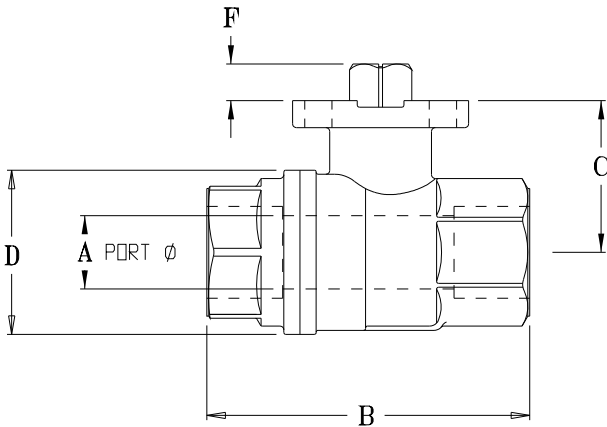
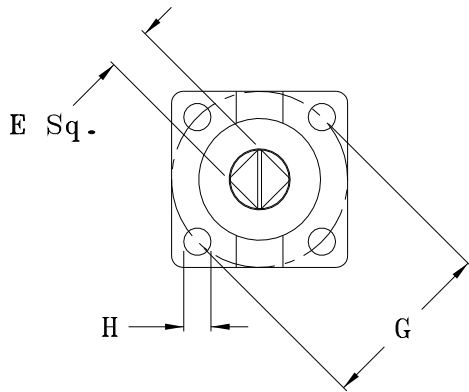


TOP VIEW OF 2" VALVE MOUNTING FLANGE SHOWING STEM POSITION IN CLOSED POSITION.



CAT NO.	VHH23AT	VHH24AT	VHH25AT	VHH26AT	VHH27AT	VHH28AT	VHH2AAT	VHH2BAT
VALVE	189143.01	189144.01	189145.01	189146.01	189147.01	189068.01	189070.01	189071.01
SIZE	1/2 NPT	3/4 NPT	1 NPT	1 1/4 NPT	1 1/2 NPT	2 NPT	3 NPT	4 NPT
Cv	19	34	52	77	143	205	780	1350
A	0.59	0.79	0.98	1.26	1.57	1.97	3.00	3.74
B	2.60	2.93	3.56	4.09	4.60	5.31	6.89	8.03
C	1.22	1.52	1.67	2.18	2.44	2.71	3.85	4.59
D	1.34	1.72	2.06	2.56	3.12	3.77	5.35	6.53
E	0.354	0.354	0.354	0.354	0.551	0.551	0.551	0.669
F	0.30	0.33	0.33	0.57	0.57	0.57	0.59	0.69
G	1.417	1.417	1.417	1.417	1.969	1.969	2.756	2.756
H	0.22	0.22	0.22	0.22	0.26	0.26	0.35	0.35
WT. LBS	0.696	1.01	1.81	2.94	4.27	7.01	13.29	21.54
TEMP.	-4° / 350° F	-4° / 350° F	-4° / 350° F	-4° / 350° F	-4° / 350° F	-4° / 350° F	-4° / 350° F	-4° / 350° F

FOR USE WITH POTABLE WATER

BALL VALVE BRASS
ISO 5211 MOUNTING PAD
PRESSURE RATING; 600 CWP

SIZES 1/2 THROUGH 1-1/2 CERTIFIED TO NSF / ANSI 372
FOR USE WITH POTABLE WATER

VALVE DATA

BODY/END CAP	FORGED BRASS
STEM	NICKEL PLATED BRASS (2" STAINLESS STEEL)
BALL	CHROME PLATED BRASS
SEATS	
THRUSTWASHER	<3": PTFE carbon filled 25%, 3"+ PTFE
STEM SEAL	VITON O-RINGS

SEAT MATERIAL

<1", 2": PTFE graphite filled 15%
1"-1.5": PTFE carbograpthite
3"-4": PTFE

UNCONTROLLED DRAWING

THIS PRINT IS THE PROPERTY OF DYNAQUIP CONTROLS AND SHALL NOT BE COPIED, REPRODUCED, LOANED, OR DISPOSED OF DIRECTLY OR INDIRECTLY, NOR USED FOR ANY PURPOSE OTHER THAN THAT FOR WHICH IT IS SPECIFICALLY FURNISHED EXCEPT BY WRITTEN PERMISSION OF DYNAQUIP CONTROLS.

NO. VHH2		FILE NO. SUB179	
TITLE BALL VALVE 2 PC BRASS ISO PLATFORM			
DR	DATE	CH'KD	DATE
MDC	02-20-24	LJH	09-09-05
ENGR	DATE		
LJH	09-09-05		

