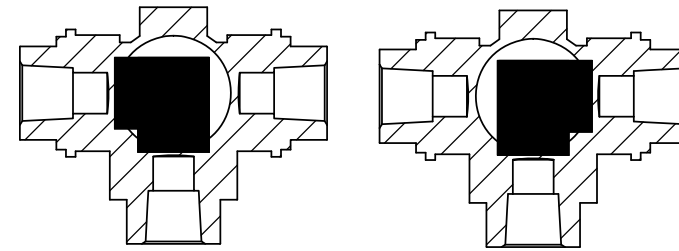
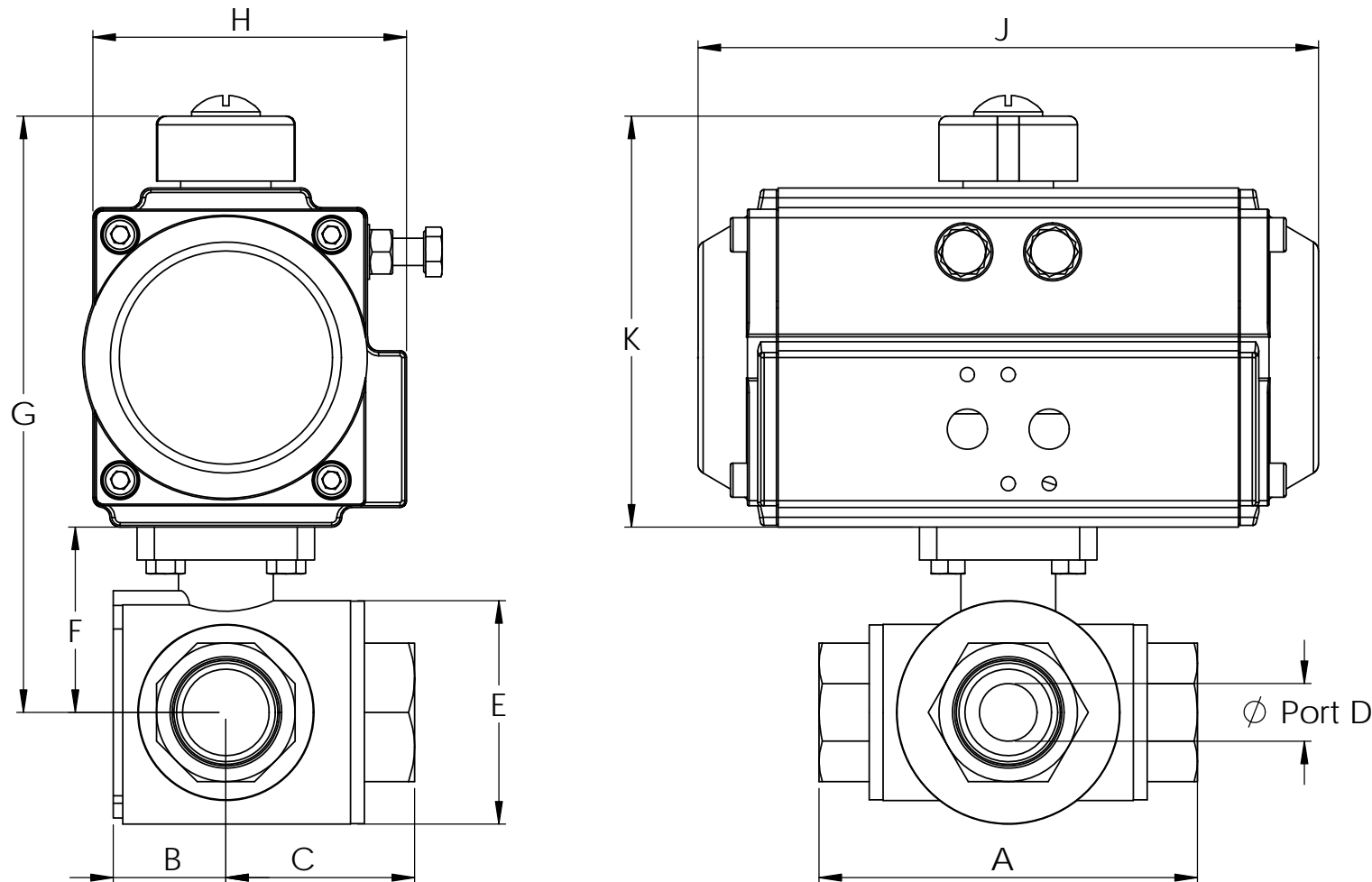
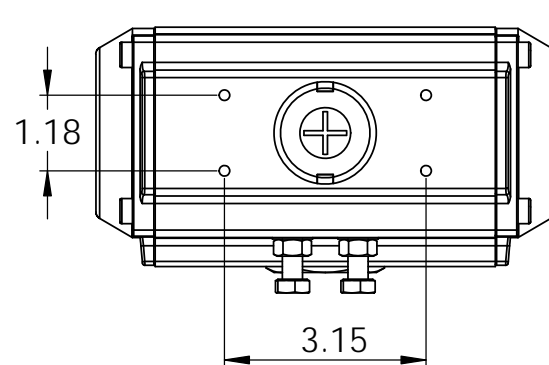


Model	PYSA1AJUDA020	PYSA2AJUDA020	PYSA3AJUDA020	PYSA4AJUDA020	PYSA5AJUDA048	PYSA6AJUDA105	PYSA7AJUDA105	PYSA8AJUDA157
Size	1/4	3/8	1/2	3/4	1	1 1/4	1 1/2	2
Cv	4.3	4.1	7.4	13.7	21.5	35.0	50.9	89.7
CWP	1000 PSI	1000 PSI	1000 PSI	1000 PSI	1000 PSI	800 PSI	800 PSI	800 PSI
A	2.71	2.71	3.14	3.77	4.37	4.80	5.67	6.68
B	.80	.80	.88	1.05	1.29	1.48	1.81	2.26
C	1.35	1.35	1.57	1.89	2.18	2.40	2.84	3.34
D	.47	.47	0.59	.79	1.00	1.25	1.50	2.00
E	1.50	1.50	1.73	2.08	2.58	2.67	3.65	4.61
F	1.50	1.50	1.60	1.91	2.14	2.48	2.89	3.63
G	5.12	5.12	5.22	5.53	6.85	7.86	8.27	9.66
H	2.81	2.81	2.81	2.81	3.74	4.27	4.27	4.90
J	5.79	5.79	5.79	5.79	7.17	10.31	10.31	10.63
K	3.62	3.62	3.62	3.62	4.71	5.38	5.38	6.03
Sized for Max. $\Delta$ PSI	300 PSI	300 PSI	300 psi	300 psi	300 psi	300 psi	300 psi	300 psi
Actuator	UP020DA	UP020DA	UP020DA	UP020DA	UP048DA	UP105DA	UP105DA	UP157DA
Ambient Temp	-4° / 176°F	-4° / 176°F	-4°/176°F	-4°/176°F	-4°/176°F	-4°/176°F	-4°/176°F	-4°/176°F
Media Temp	-4° / 235°F	-4° / 235°F	-4° / 235°F	-4° / 235°F	-4° / 235°F	-4° / 235°F	-4° / 235°F	-4° / 235°F
Wt. lbs	4.8	4.8	5.28	6.6	11.67	23.56	23.56	37.21

**FOR APPLICATIONS EXCEEDING LISTED TEMPERATURES, CALL TO DISCUSS OPTIONS**



Closed Position      Open Position



**VALVE DATA**

Body/End Cap	ASTM A351 GR CF8M (316 Stainless Steel)
Stem	316 Stainless Steel
Ball	316 Stainless Steel
Seats	TFM
Thrustwasher	P.E.E.K Food Grade
Stem Seal	TFM/Viton

**UNCONTROLLED DRAWING**

THIS PRINT IS THE PROPERTY OF DYNAQUIP CONTROLS AND SHALL NOT BE COPIED, REPRODUCED, LOANED, OR DISPOSED OF DIRECTLY OR INDIRECTLY, NOR USED FOR ANY PURPOSE OTHER THAN THAT FOR WHICH IT IS SPECIFICALLY FURNISHED EXCEPT BY WRITTEN PERMISSION OF DYNAQUIP CONTROLS.

**NO. PYSA SERIES**

FILE NO. Sub566

TITLE  
**BALL VALVE SS  
 FP 3WAY L PORT - NPT  
 UP-DA ACTUATOR**

DR	DATE	CHKD	DATE	ENGR	DATE
MDC	08-27-24	MDC	08-27-24	MDC	08-27-24

**DynaQuip®**  
 CONTROLS CORPORATION