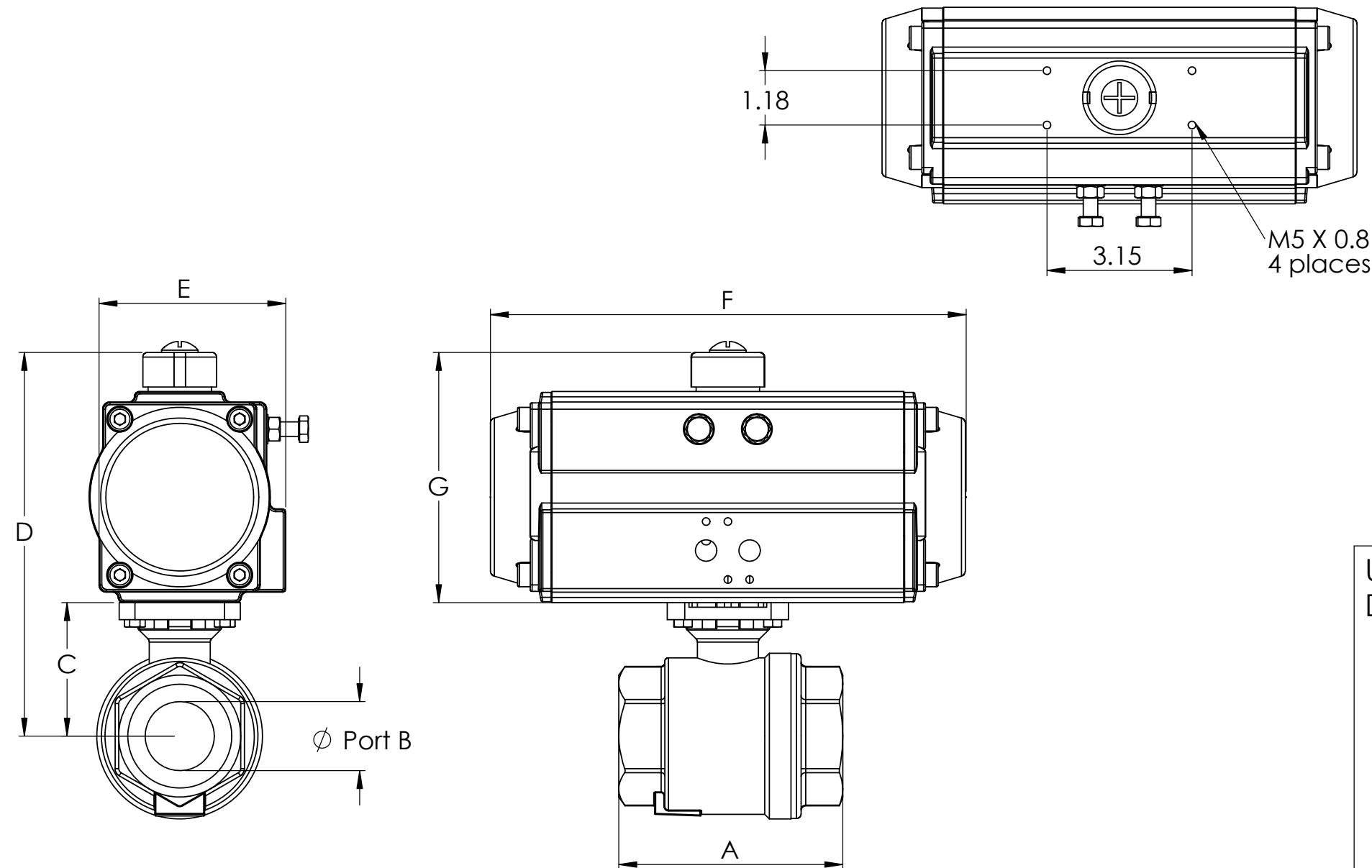


CARBON STEEL	P2C21AJUDA010	P2C22AJUDA010	P2C23AJUDA010	P2C24AJUDA010	P2C25AJUDA020	P2C26AJUDA020	P2C27AJUDA034	P2C28AJUDA048	P2C29AJUDA075	P2C2AAJUDA105
STAINLESS STEEL	P2S21AJUDA010	P2S22AJUDA010	P2S23AJUDA010	P2S24AJUDA010	P2S25AJUDA020	P2S26AJUDA020	P2S27AJUDA034	P2S28AJUDA048	P2S29AJUDA075	P2S2AAJUDA105
Size	1/4 NPT	3/8 NPT	1/2 NPT	3/4 NPT	1 NPT	1 1/4 NPT	1 1/2 NPT	2 NPT	2 1/2 NPT	3 NPT
Cv	10	16	37	68	109	185	268	486	791	1150
WOG	1000 psi	1000 psi	1000 psi	1000 psi	1000 psi	1000 psi	1000 psi	1000 psi	1000 psi	1000 psi
A	2.95	2.95	2.95	3.15	3.56	4.33	4.72	4.88	5.76	6.44
B	0.31	0.39	0.59	0.79	0.98	1.26	1.5	1.97	2.56	2.99
C	1.54	1.54	1.54	1.73	1.87	2.09	2.54	2.97	3.60	3.97
D	4.69	4.69	4.69	4.88	5.49	5.71	6.79	7.68	8.68	9.35
E	2.38	2.38	2.38	2.38	2.81	2.81	3.27	3.74	4.06	4.27
F	4.72	4.72	4.72	4.72	5.79	5.79	6.50	7.17	8.19	10.31
G	3.15	3.15	3.15	3.15	3.62	3.62	4.25	4.71	5.08	5.38
Sized for Max. $\Delta$ PSI	500 psi	500 psi	500 psi	500 psi	500 psi	300 psi	300 psi	300 psi	300 psi	300 psi
Actuator	UP010DA	UP010DA	UP010DA	UP010DA	UP020DA	UP020DA	UP034DA	UP048DA	UP075DA	UP105DA
Ambient Temp	-4° / 176°F	-4° / 176°F	-4° / 176°F	-4° / 176°F	-4° / 176°F	-4° / 176°F	-4° / 176°F	-4° / 176°F	-4° / 176°F	-4° / 176°F
Media Temp	-4° / 235°F	-4° / 235°F	-4° / 235°F	-4° / 235°F	-4° / 235°F	-4° / 235°F	-4° / 235°F	-4° / 235°F	-4° / 235°F	-4° / 235°F
Wt. lbs	2.64	2.64	2.64	2.84	5.50	6.60	9.73	12.79	21.13	27.36



### Valve Data

Body/End Cap	ASTM A216-WCB (Carbon Steel)	ASTM A351 GR. CF8M (316SS)
Stem	316 Stainless Steel	
Ball	316 Stainless Steel	
Seats	RTFE	
Thrustwasher	PTFE	
Stem Seal	PTFE / VITON O-Ring	

**FOR APPLICATIONS EXCEEDING LISTED TEMPERATURES, CALL TO DISCUSS OPTIONS**

FOR HIGH TEMP ACTUATOR TRIM, ADD 'H' SUFFIX (5°F - 330°F)  
FOR LOW TEMP ACTUATOR TRIM, ADD 'H2' SUFFIX (-40°F - 176°F)

**UNCONTROLLED DRAWING**

THIS PRINT IS THE PROPERTY OF DYNAQUIP CONTROLS AND SHALL NOT BE COPIED, REPRODUCED, LOANED, OR DISPOSED OF DIRECTLY OR INDIRECTLY, NOR USED FOR ANY PURPOSE OTHER THAN THAT FOR WHICH IT IS SPECIFICALLY FURNISHED EXCEPT BY WRITTEN PERMISSION OF DYNAQUIP CONTROLS.

NO. P2 SERIES

FILE NO.  
Sub531

TITLE  
BALL VALVE CS/SS  
FULL PORT - NPT  
UP-DA ACTUATOR

DR	DATE	CHKD	DATE	ENGR	DATE
MDC	08-21-24	MDC	08-21-24	MDC	08-21-24

**DynaQuip®**  
CONTROLS CORPORATION