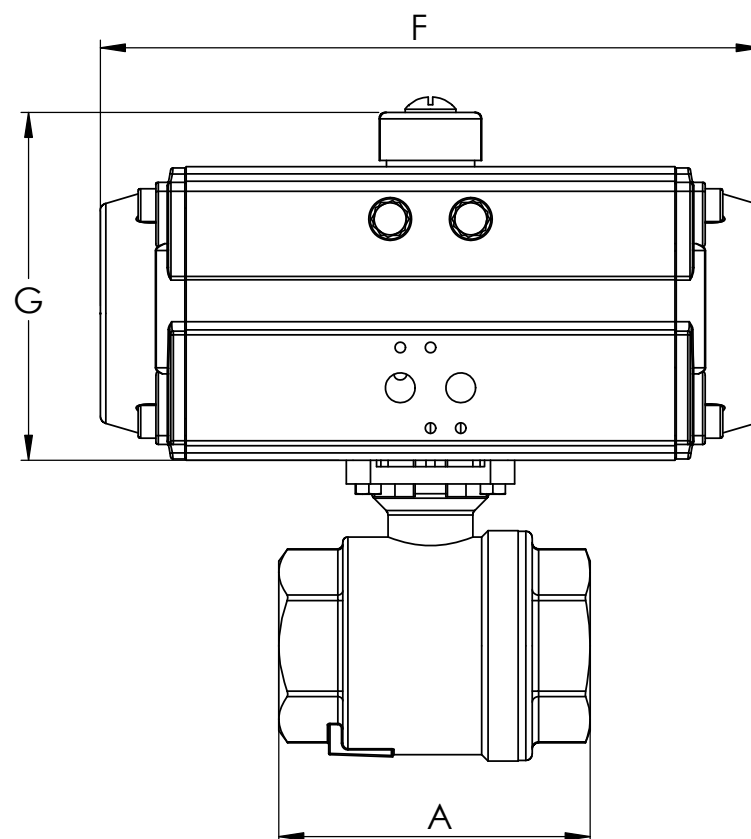
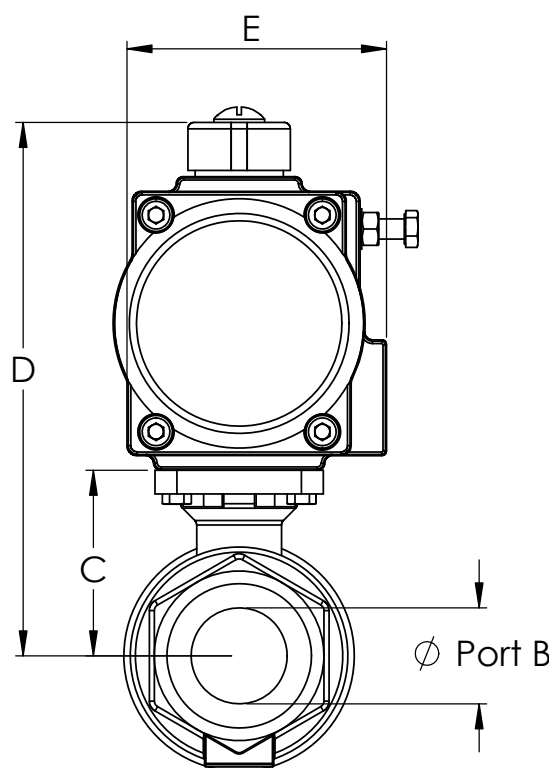
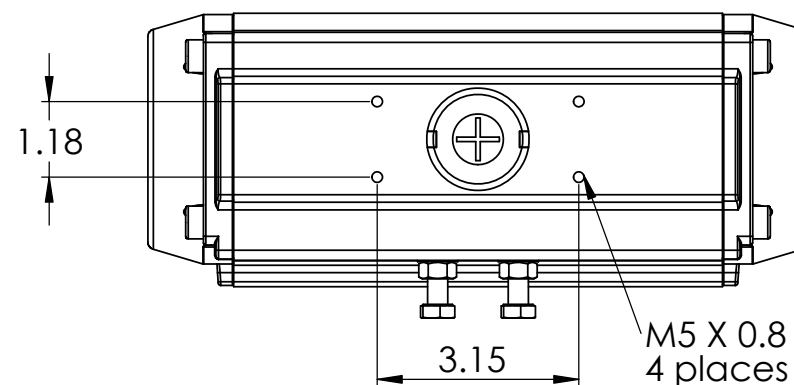


CARBON STEEL	P2C21AJUSR0209	P2C22AJUSR0209	P2C23AJUSR0209	P2C24AJUSR0209	P2C25AJUSR0349	P2C26AJUSR0349	P2C27AJUSR0349	P2C28AJUSR1059	P2C29AJUSR1579	P2C2AAJUSR2379
STAINLESS STEEL	P2S21AJUSR0209	P2S22AJUSR0209	P2S23AJUSR0209	P2S24AJUSR0209	P2S25AJUSR0349	P2S26AJUSR0349	P2S27AJUSR0349	P2S28AJUSR1059	P2S29AJUSR1579	P2S2AAJUSR2379
Size	1/4 NPT	3/8 NPT	1/2 NPT	3/4 NPT	1 NPT	1 1/4 NPT	1 1/2 NPT	2 NPT	2 1/2 NPT	3 NPT
Cv	10	16	37	68	109	185	268	486	843	1150
WOG	1000 psi	1000 psi	1000 psi	1000 psi	1000 psi	1000 psi	1000 psi	1000 psi	1000 psi	1000 psi
A	2.95	2.95	2.95	3.15	3.56	4.33	4.72	4.88	5.76	6.44
B	0.31	0.39	0.59	0.79	0.98	1.26	1.5	1.97	2.48	2.99
C	1.54	1.54	1.54	1.73	1.87	2.09	2.54	2.97	3.60	3.97
D	5.16	5.16	5.16	5.35	6.12	6.34	6.79	8.35	9.63	10.86
E	2.81	2.81	2.81	2.81	3.27	3.27	3.27	4.27	4.90	5.59
F	5.79	5.79	5.79	5.79	6.50	6.50	6.50	10.31	10.63	11.85
G	3.62	3.62	3.62	3.62	4.25	4.25	4.25	5.38	6.03	6.89
Sized for Max. $\Delta$ PSI	500 psi	500 psi	500 psi	500 psi	500 psi	300 psi	300 psi	300 psi	300 psi	300 psi
Actuator	UP020SR9	UP020SR9	UP020SR9	UP020SR9	UP034SR9	UP034SR9	UP034SR9	UP105SR9	UP157SR9	UP237SR9
Ambient Temp	-4° / 176°F	-4° / 176°F	-4° / 176°F	-4° / 176°F	-4° / 176°F	-4° / 176°F	-4° / 176°F	-4° / 176°F	-4° / 176°F	-4° / 176°F
Media Temp	-4° / 235°F	-4° / 235°F	-4° / 235°F	-4° / 235°F	-4° / 235°F	-4° / 235°F	-4° / 235°F	-4° / 235°F	-4° / 235°F	-4° / 235°F
Wt. lbs	4.40	4.40	4.40	4.60	6.83	7.93	9.73	17.86	28.41	38.17

### Valve Data

Body/End Cap	ASTM A216-WCB (Carbon Steel)	ASTM A351 GR. CF8M (316SS)
Stem	316 Stainless Steel	
Ball	316 Stainless Steel	
Seats	RTFE	
Thrustwasher	PTFE	
Stem Seal	PTFE / VITON O-Ring	



**FOR APPLICATIONS EXCEEDING LISTED TEMPERATURES, CALL TO DISCUSS OPTIONS**

FOR HIGH TEMP ACTUATOR TRIM, ADD 'H' SUFFIX (5°F - 330°F)  
FOR LOW TEMP ACTUATOR TRIM, ADD 'H2' SUFFIX (-40°F - 176°F)

#### UNCONTROLLED DRAWING

THIS PRINT IS THE PROPERTY OF DYNAQUIP CONTROLS AND SHALL NOT BE COPIED, REPRODUCED, LOANED, OR DISPOSED OF DIRECTLY OR INDIRECTLY, NOR USED FOR ANY PURPOSE OTHER THAN THAT FOR WHICH IT IS SPECIFICALLY FURNISHED EXCEPT BY WRITTEN PERMISSION OF DYNAQUIP CONTROLS.

NO. P2 SERIES

FILE NO.  
Sub533

TITLE  
BALL VALVE CS/SS  
FULL PORT - NPT  
UP-SR NC ACTUATOR

DR	DATE	CHKD	DATE	ENGR	DATE
MDC	08-21-24	MDC	08-21-24	MDC	08-21-24

**DynaQuip**<sup>®</sup>  
CONTROLS CORPORATION