

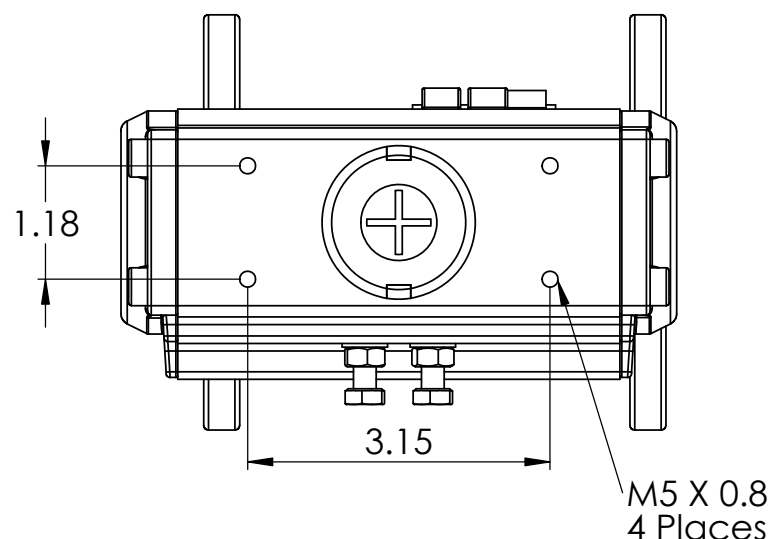
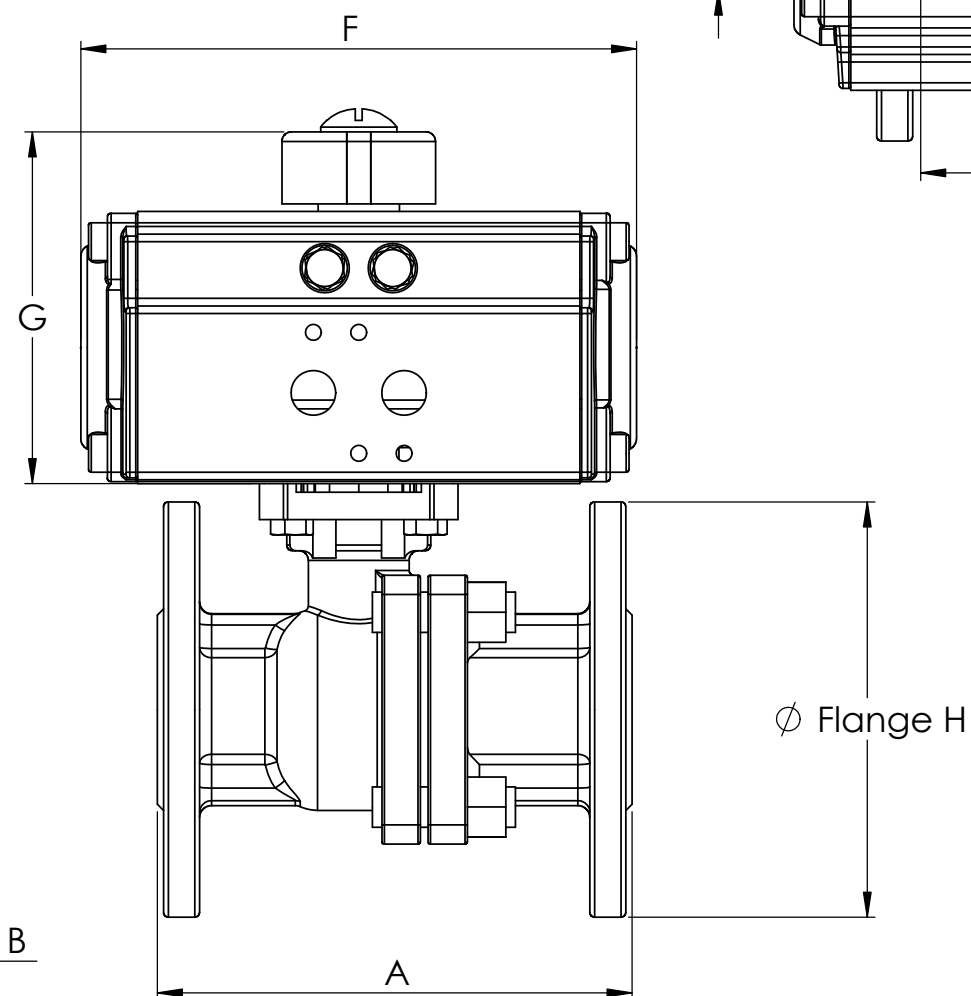
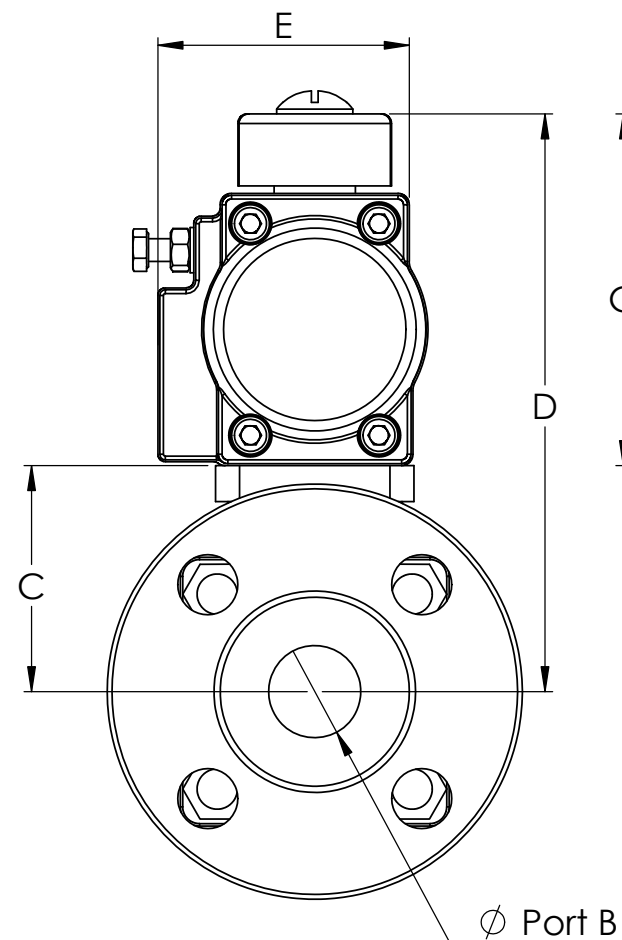
Carbon Steel	P5C63EJUDA010	P5C64EJUDA020	P5C65EJUDA020	P5C66EJUDA020	P5C67EJUDA034	P5C68EJUDA048	P5C69EJUDA075	P5C6AEJUDA105	P5C6BEJUDA157
Stainless Steel	P5S23EJUDA010	P5S24EJUDA020	P5S25EJUDA020	P5S26EJUDA020	P5S27EJUDA034	P5S28EJUDA048	P5S29EJUDA075	P5S2AEJUDA105	P5S2BEJUDA157
Size	1/2	3/4	1	1 1/4	1 1/2	2	2 1/2	3	4
Cv	37	68	109	185	268	486	843	1150	2055
A	4.25	4.663	5.00	5.50	6.50	7.00	7.50	8.00	9.00
B	0.59	0.79	0.94	1.18	1.50	1.97	2.52	2.99	3.94
C	2.03	2.17	2.28	2.44	2.99	3.33	4.11	4.39	5.33
D	5.18	5.79	5.90	6.06	7.24	8.04	9.19	9.77	11.36
E	2.38	2.81	2.81	2.81	3.27	3.74	4.06	4.27	4.90
F	4.72	5.79	5.79	5.79	6.50	7.17	8.19	10.31	10.63
G	3.15	3.62	3.62	3.62	4.25	4.71	5.08	5.38	6.03
H	3.50	3.88	4.25	4.62	5.00	6.00	7.00	7.50	9.00
Sized for Max. Δ PSI	285 psi	285 psi	285 psi	285 psi	285 psi	285 psi	285 psi	285 psi	285 psi
Actuator	UP010DA	UP020DA	UP020DA	UP020DA	UP034DA	UP048DA	UP075DA	UP105DA	UP157DA
Ambient Temp	-4° / 176°F	-4° / 176°F	-4° / 176°F	-4° / 176°F	-4° / 176°F	-4° / 176°F	-4° / 176°F	-4° / 176°F	-4° / 176°F
Media Temp	-4° / 235°F	-4° / 235°F	-4° / 235°F	-4° / 235°F	-4° / 235°F	-4° / 235°F	-4° / 235°F	-4° / 235°F	-4° / 235°F
Wt. lbs	5.24	7.90	10.40	11.50	17.83	23.99	39.93	51.66	79.11

CARBON STEEL

PRESSURE RATING PER ANSI 150:
285 PSI AT 100°F
260 PSI AT 200°F

STAINLESS STEEL

PRESSURE RATING PER ANSI 150:
275 PSI AT 100°F
235 PSI AT 200°F



VALVE DATA

Body/End Cap	ASTM A216-WCB (Carbon Steel)	ASTM A351 GR. CF8M (316SS)
Stem	316 Stainless Steel	
Ball	316 Stainless Steel	
Seats	RTFE	
Thrustwasher	CTFE	
Stem Seal	VITON O-Ring	

**FOR APPLICATIONS EXCEEDING LISTED TEMPERATURES,
CALL TO DISCUSS OPTION**

FOR HIGH TEMP ACTUATOR TRIM, ADD 'H' SUFFIX (5°F - 330°F)
FOR LOW TEMP ACTUATOR TRIM, ADD 'H2' SUFFIX (-40°F - 176°F)

UNCONTROLLED DRAWING

THIS PRINT IS THE PROPERTY
OF DYNAQUIP CONTROLS AND
SHALL NOT BE COPIED,
REPRODUCED, LOANED,
OR DISPOSED OF DIRECTLY
OR INDIRECTLY, NOR USED
FOR ANY PURPOSE OTHER THAN
THAT FOR WHICH IT IS
SPECIFICALLY FURNISHED
EXCEPT BY WRITTEN
PERMISSION OF
DYNAQUIP CONTROLS.

NO. P5 SERIES

FILE NO.
Sub536

TITLE
BALL VALVE CS/SS
FULL PORT - #150 FLANGE
UP-DA ACTUATOR

DR	DATE	CHKD	DATE	ENGR	DATE
MDC	08-22-24	MDC	08-22-24	MDC	08-22-24

DynaQuip®
CONTROLS CORPORATION