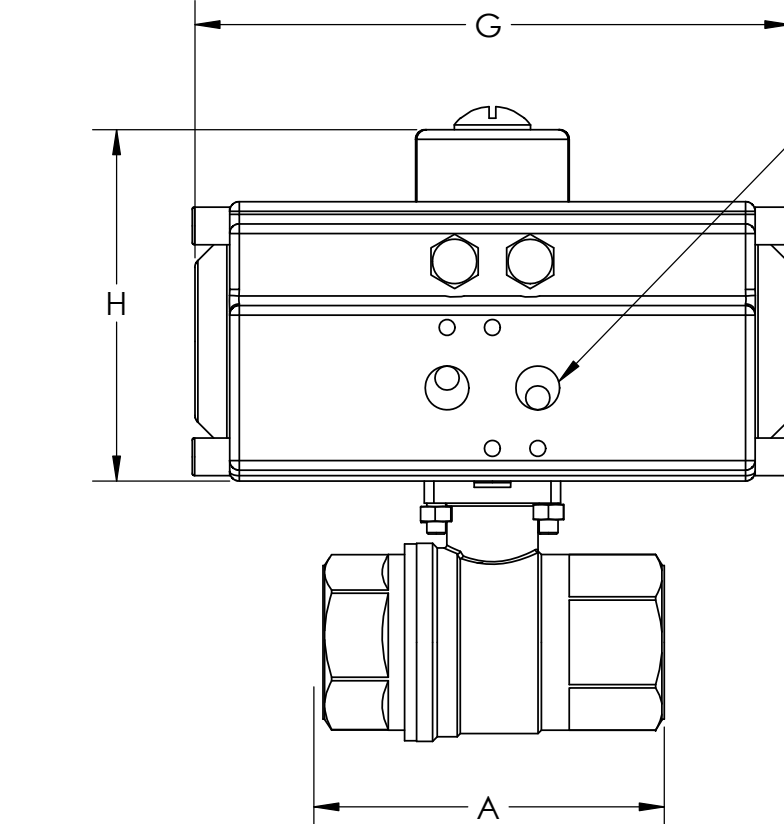
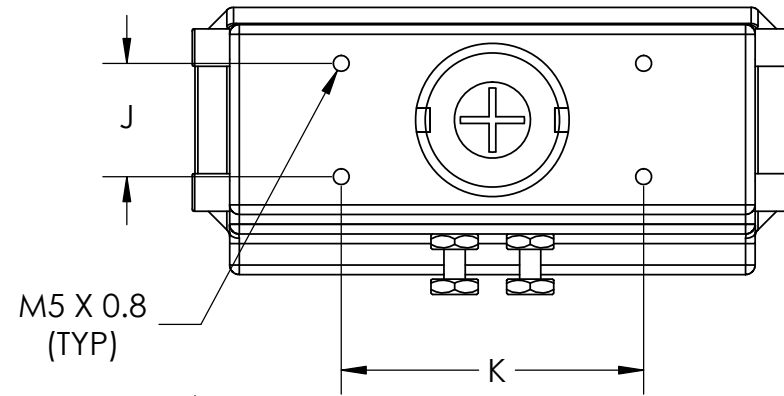
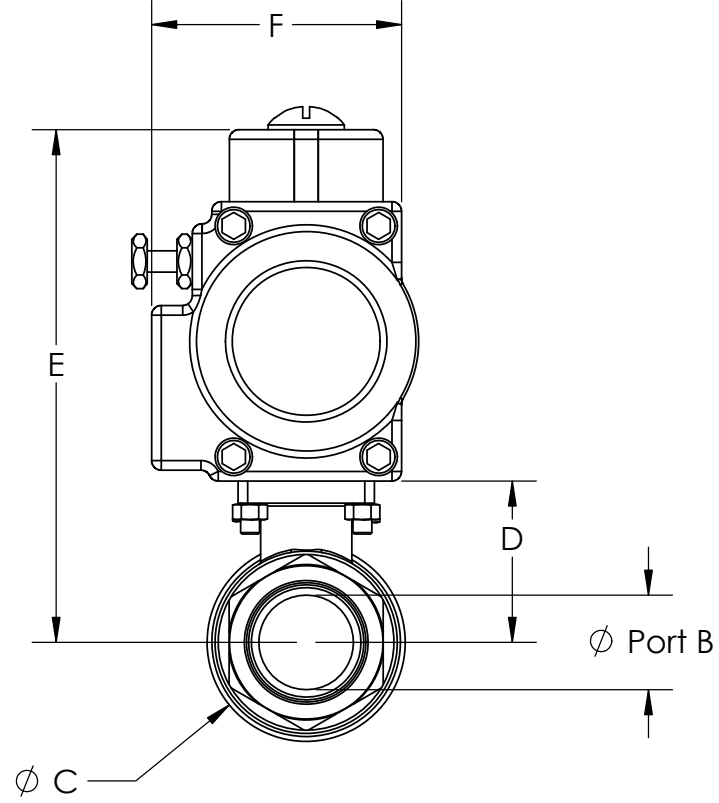


Model	PHH23ATSR05210F	PHH24ATSR05210F	PHH25ATSR05210F	PHH26ATSR06312F	PHH27ATSR08310F	PHH28ATSR08310F	PHH2AATSR09210F	PHH2BATSR10510F
Size	1/2 NPT	3/4 NPT	1 NPT	1 1/4 NPT	1 1/2 NPT	2 NPT	3 NPT	4 NPT
Cv	19	34	52	77	143	205	260	410
CWP	600 PSI	600 PSI	600 PSI	600 PSI	600 PSI	600 PSI	600PSI	600 PSI
A	2.60	2.93	3.56	4.09	4.60	5.31	6.89	8.03
B	0.59	0.79	0.98	1.26	1.57	1.97	3.00	3.74
C	1.34	1.72	2.06	2.56	3.12	3.78	5.35	6.35
D	1.22	1.52	1.67	1.94	2.44	2.71	3.85	4.59
E	4.92	5.22	5.37	6.19	7.52	7.79	9.36	10.61
F	2.79	2.79	2.79	3.19	3.88	3.88	4.27	4.78
G	6.24	6.24	6.24	7.48	8.39	8.39	10.20	11.30
H	3.70	3.70	3.70	4.25	5.08	5.08	5.51	6.02
J	.98	.98	1.18	1.18	1.18	1.18	1.18	1.18
K	1.97	1.97	3.15	3.15	3.15	3.15	3.15	3.15
Sized for Max Δ P	300 PSIG	300 PSIG	300 PSIG	300 PSIG	300 PSIG	300 PSIG	300 PSIG	300 PSIG
Actuator	HP052SR10F	HP052SR10F	HP052SR10F	HP063SR12F	HP083SR10F	HP083SR10F	HP092SR10	HP105SR10F
Ambient Temp	-4°F / 176°F	-4°F / 176°F	-4°F / 176°F	-4°F / 176°F	-4°F / 176°F	-4°F / 176°F	-4°F / 176°F	-4°F / 176°F
Media Temp	-4° / 235°F	-4° / 235°F	-4° / 235°F	-4° / 235°F	-4° / 235°F	-4° / 235°F	-4° / 235°F	-4° / 235°F
Wt. lbs	2.90	3.22	4.01	6.44	11.07	13.81	24.09	35.84



FOR USE WITH POTABLE WATER

VALVE SIZES 1/2 THROUGH 1 1/2 ARE CERTIFIED TO NSF/ANSI 372 AND NSF/ANSI 61 FOR USE WITH POTABLE WATER



FOR APPLICATIONS EXCEEDING LISTED TEMPERATURES, CALL TO DISCUSS OPTIONS

Note:
Sized for clean water, air, or oil.
Minimum 80 psig air supply to actuator.
Other applications may require larger actuators.
Please consult factory.

Valve Data

Body/End Cap	Forged Brass, Not Plated
Stem	Brass, Nickel Plated
Ball	Brass, Chrome Plated
Seats	<1", 2" PTFE Graphite filled 15%
Seats	1"-1.5" PTFE carbographite; 3"-4" PTFE
Thrustwasher	<3" PTFE Carbon filled 25%; 3" + PTFE
Stem Seal	FPM O-Rings
Ball Seat Seals	FPM O-Rings

UNCONTROLLED DRAWING
THIS PRINT IS THE PROPERTY OF DYNAQUIP CONTROLS AND SHALL NOT BE COPIED, REPRODUCED, LOANED, OR DISPOSED OF DIRECTLY OR INDIRECTLY, NOR USED FOR ANY PURPOSE OTHER THAN THAT FOR WHICH IT IS SPECIFICALLY FURNISHED EXCEPT BY WRITTEN PERMISSION OF DYNAQUIP CONTROLS.

NO.		PHH2 Series			FILE NO.
TITLE		Ball Valve - Brass Full Port - NPT HP-SR NO Actuator			
DR	DATE	CHKD	DATE	ENGR	DATE
MJP	08-12-25	PTS	10-10-16	PTS	10-10-16

