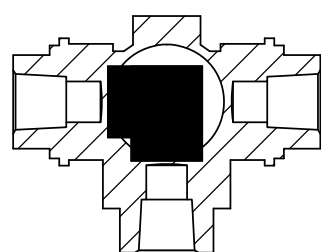
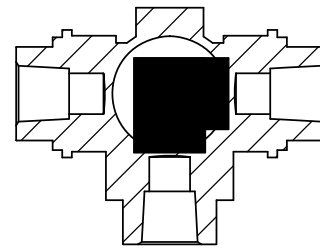


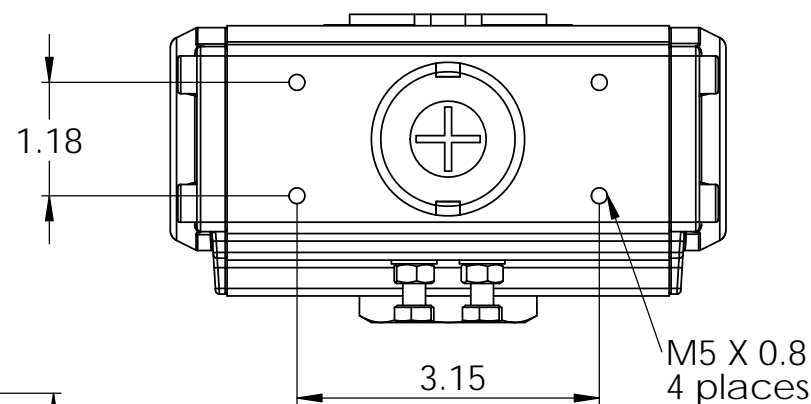
Model	PYSG3AMUDA010	PYSG4AMUDA020	PYSG5AMUDA020	PYSG6AMUDA020	PYSG7AMUDA034	PYSG8AMUDA048
Size	1/2	3/4	1	1 1/4	1 1/2	2
Cv	11	14	18	43	84	90
CWP	1000 PSI	1000 PSI	1000 PSI	1000 PSI	1000 PSI	1000 PSI
A	2.99	3.39	3.9	4.61	4.88	5.83
B	0.85	1.11	1.3	1.51	1.71	2.01
C	1.45	1.72	1.91	2.21	2.38	2.91
D	0.49	0.63	0.79	0.98	1.26	1.5
E	1.50	1.99	2.22	2.67	3.05	3.74
F	1.61	1.74	2.11	2.33	2.99	3.31
G	4.76	5.36	5.73	5.95	7.24	8.02
H	2.38	2.81	2.81	2.81	3.27	3.74
J	4.72	5.79	5.79	5.79	6.50	7.17
K	3.15	3.62	3.62	3.62	4.25	4.71
Sized for Max. Δ PSI	300 psi	300 psi	300 psi	300 psi	300 psi	300 psi
Actuator	UP010DA	UP020DA	UP020DA	UP020DA	UP034DA	UP048DA
Ambient Temp	-4°/176°F	-4°/176°F	-4°/176°F	-4°/176°F	-4°/176°F	-4°/176°F
Media Temp	-4° / 235°F	-4° / 235°F	-4° / 235°F	-4° / 235°F	-4° / 235°F	-4° / 235°F
Wt. lbs	2.79	5.75	6.85	8.52	12.39	18.47



Air to Port "B" CW Rotation
Indicator Closed Position



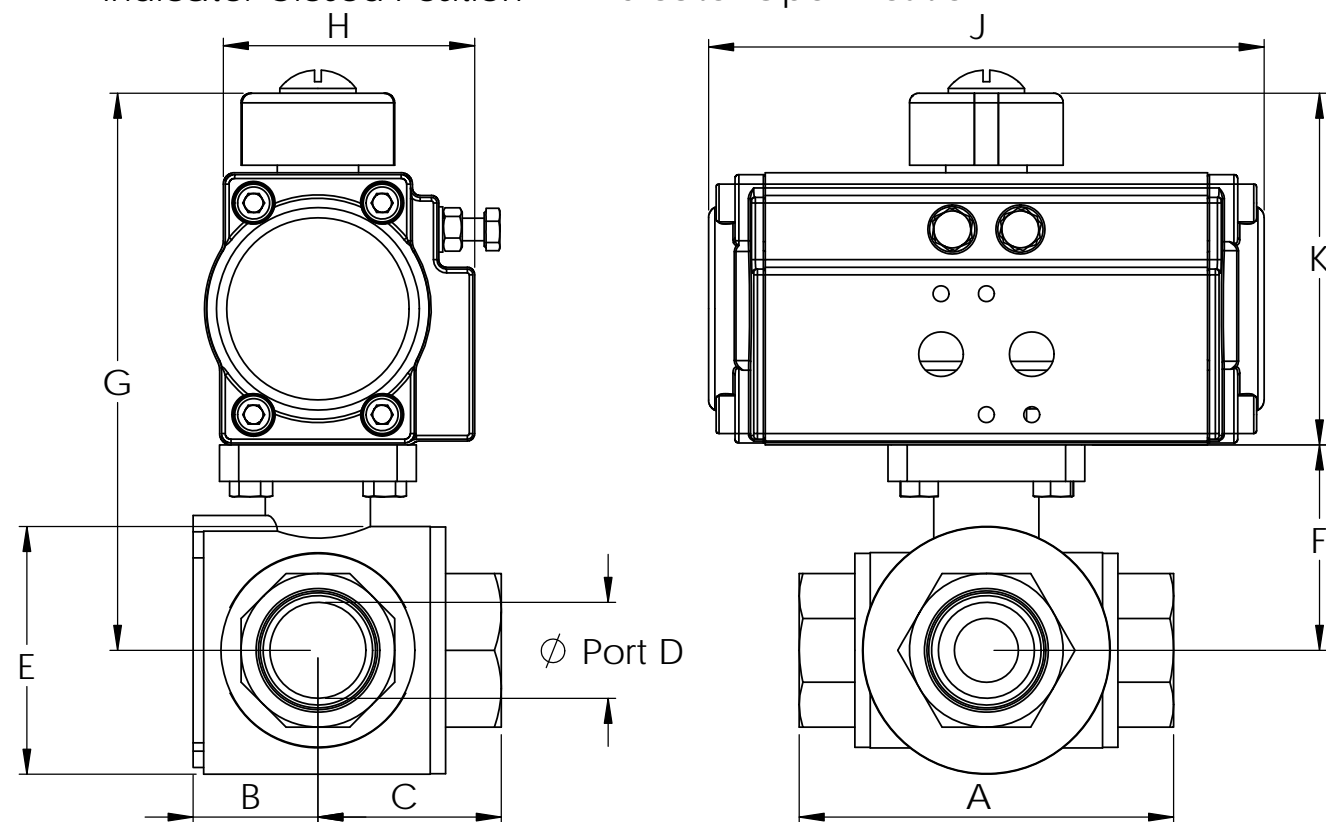
Air to Port "A" CCW Rotation
Indicator Open Position



**FOR APPLICATIONS EXCEEDING LISTED
TEMPERATURES, CALL TO DISCUSS OPTIONS**

VALVE DATA

Body/End Cap	ASTM A351 GR CF8M (316 Stainless Steel)
Stem	316 Stainless Steel
Ball	316 Stainless Steel
Seats	RTFE
Thrustwasher	P.E.E.K
Stem Seal	VITON O-Ring



**UNCONTROLLED
DRAWING**

THIS PRINT IS THE PROPERTY
OF DYNAQUIP CONTROLS AND
SHALL NOT BE COPIED,
REPRODUCED, LOANED,
OR DISPOSED OF DIRECTLY
OR INDIRECTLY, NOR USED
FOR ANY PURPOSE OTHER THAN
THAT FOR WHICH IT IS
SPECIFICALLY FURNISHED
EXCEPT BY WRITTEN
PERMISSION OF
DYNAQUIP CONTROLS.

NO. PYSG SERIES
FILE NO. Sub569

TITLE
**BALL VALVE SS
3WAY L-PORT NPT
UP-DA ACTUATOR**

DR	DATE	CHKD	DATE	ENGR	DATE
MDC	08-28-24	MDC	08-28-24	MDC	08-28-24

DynaQuip®
CONTROLS CORPORATION