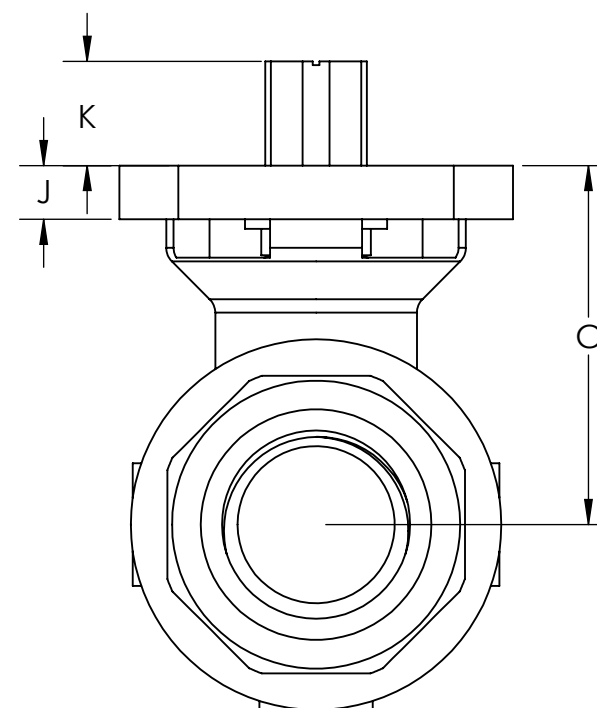
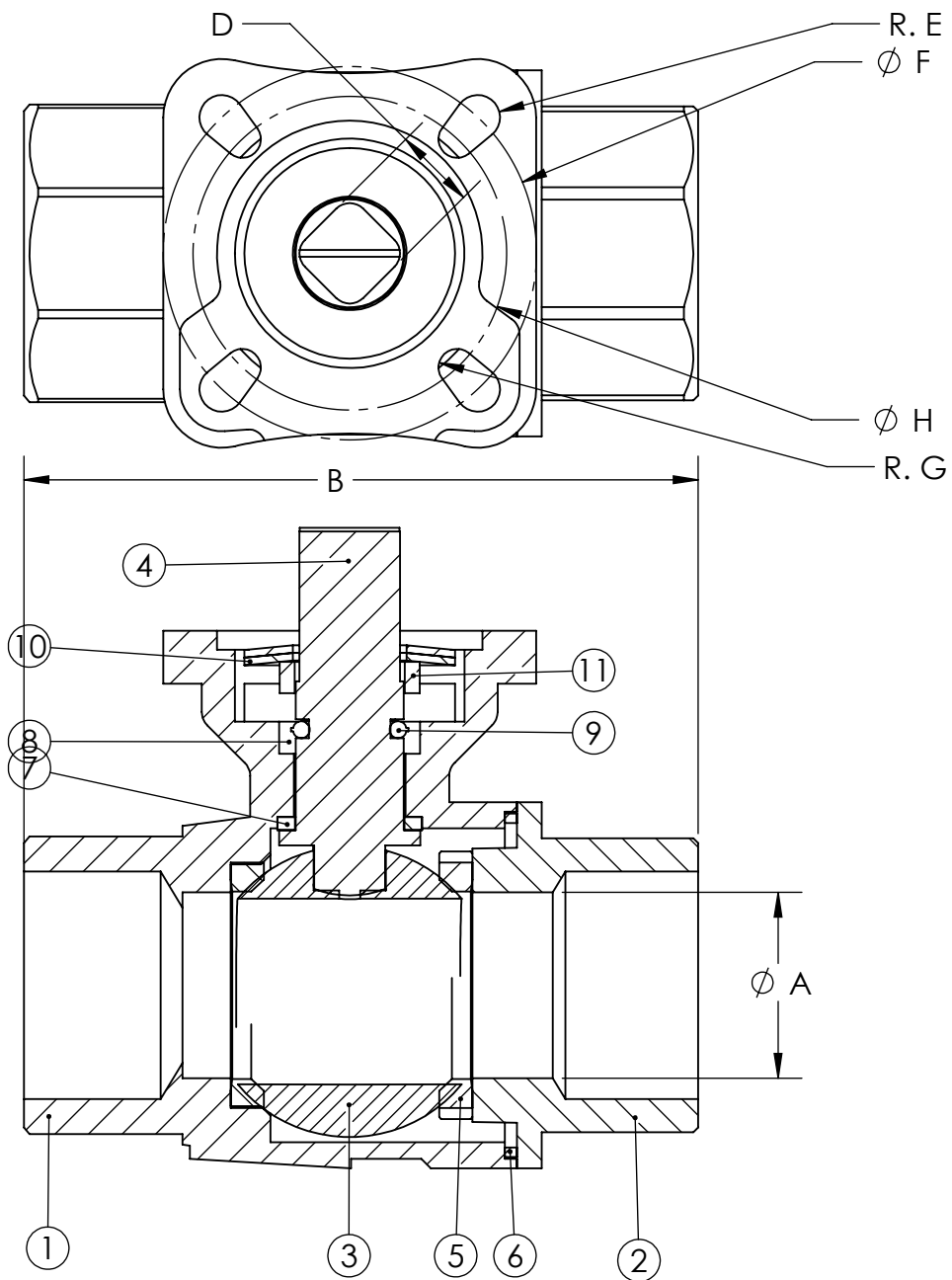


Model	V2C21AJ	V2C22AJ	V2C23AJ	V2C24AJ	V2C25AJ	V2C26AJ	V2C27AJ	V2C28AJ	V2C29AJ	V2C2AAJ
Size	1/4 NPT	3/8 NPT	1/2 NPT	3/4 NPT	1 NPT	1 1/4 NPT	1 1/2 NPT	2 NPT	2 1/2 NPT	3 NPT
Cv	10	16	37	68	109	185	268	486	791	1150
MEDIA TEMP	-4° / 392°F	-4° / 392°F	-4° / 392°F	-4° / 392°F	-4° / 392°F	-4° / 392°F	-4° / 392°F	-4° / 392°F	-4° / 392°F	-4° / 392°F
WOG	1000 psi	1000 psi	1000 psi	1000 psi	1000 psi	1000 psi	1000 psi	1000 psi	1000 psi	1000 psi
A	0.31	0.39	0.59	0.79	0.98	1.26	1.5	1.97	2.48	2.99
B	2.95	2.95	2.95	3.15	3.56	4.33	4.72	4.88	5.76	6.44
C	1.54	1.54	1.54	1.73	1.87	2.09	2.54	2.97	3.60	3.97
D	0.35	0.35	0.35	0.35	0.43	0.43	0.55	0.55	0.67	0.67
E	0.11	0.11	0.11	0.11	0.14	0.14	0.18	0.18	0.22	0.22
F	1.65	1.65	1.65	1.65	1.97	1.97	2.76	2.76	4.02	4.02
G	0.11	0.11	0.11	0.11	0.11	0.11	0.14	0.14	0.18	0.18
H	1.42	1.42	1.42	1.42	1.65	1.65	1.97	1.97	2.76	2.76
J	0.25	0.25	0.25	0.25	0.3	0.3	0.32	0.45	0.4	0.4
K	0.31	0.31	0.31	0.31	0.35	0.47	0.51	0.53	0.81	0.81
Wt. lbs	1.1	1.1	1.1	1.3	2.2	3.3	5.1	6.4	13.2	15.9

Valve Data

Item	Parts	Materials
1	Body	ASTM A216-WCB 1.0619
2	End Cap	
3	Ball	ASTM A351-CF8M
4	Stem	ASTM A276-316
5	Seat	RTFE
6	Gasket	PTFE
7	Thrust Washer	
8	Packing	
9	O-Ring	VITON
10	Disc Spring	SS 301
11	Gland Ring	AISI 304



UNCONTROLLED DRAWING
 THIS PRINT IS THE PROPERTY OF DYNAQUIP CONTROLS AND SHALL NOT BE COPIED, REPRODUCED, LOANED, OR DISPOSED OF DIRECTLY OR INDIRECTLY, NOR USED FOR ANY PURPOSE OTHER THAN THAT FOR WHICH IT IS SPECIFICALLY FURNISHED EXCEPT BY WRITTEN PERMISSION OF DYNAQUIP CONTROLS.

NO.		V2C Series				FILE NO.
		Ball Valve CS				Sub361
		2 Piece				
		Full Port - NPT				
DR	DATE	CH'KD	DATE	ENGR	DATE	
MDC	01-27-23	MWS	09-03-15	MWS	09-03-15	

DynaQuip Controls